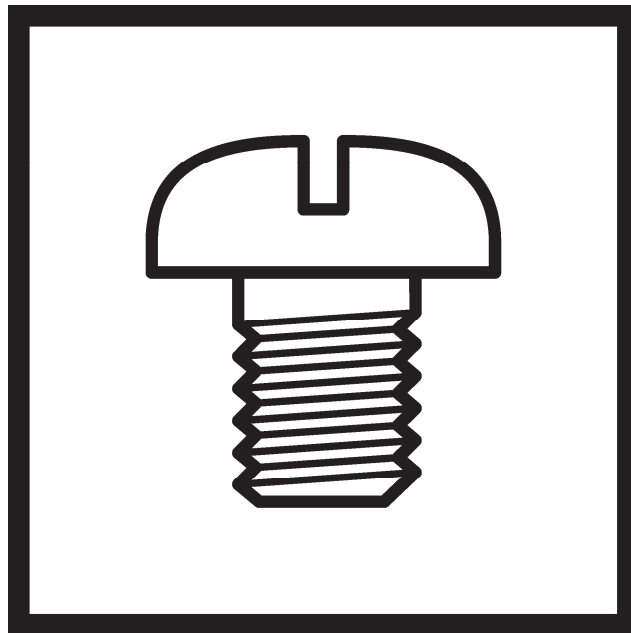


S-7300A

パーツブック
PARTS BOOK

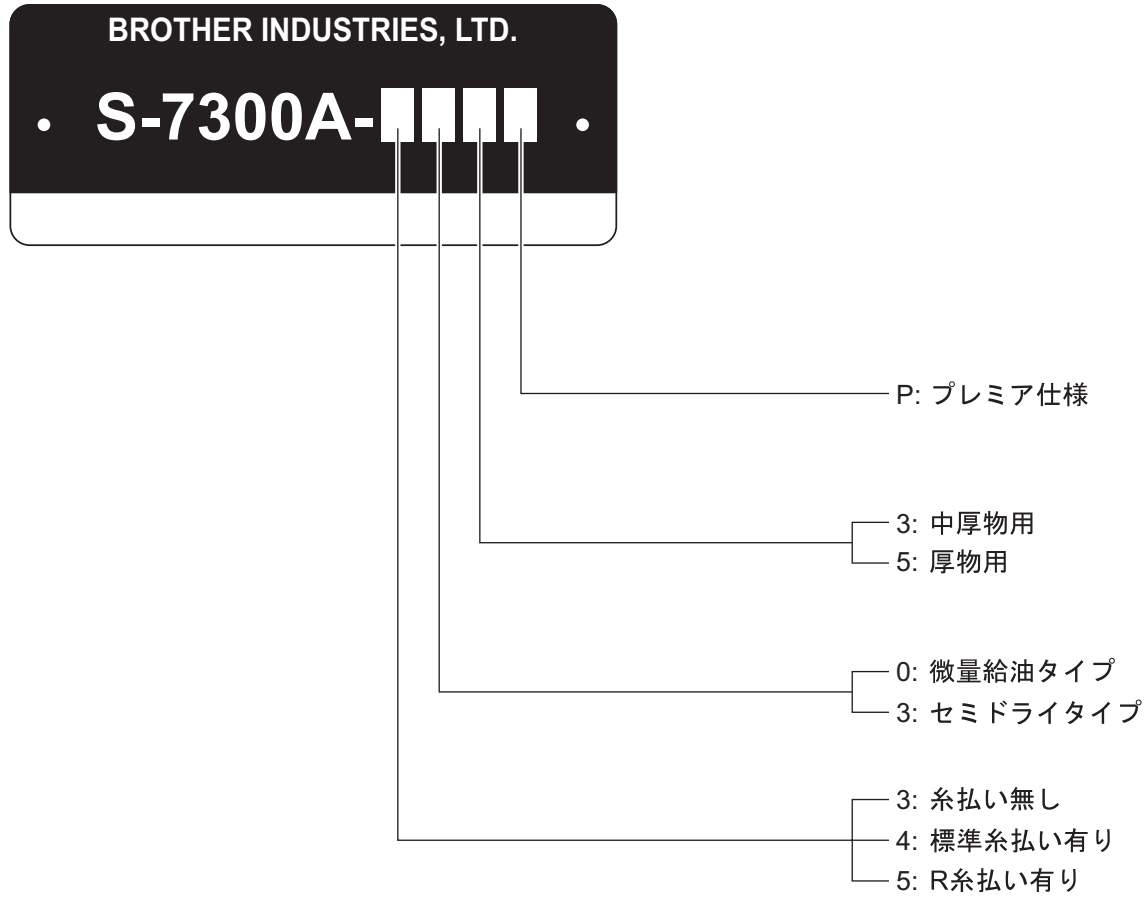
電子本縫ダイレクトドライブ自動糸切りミシン
SINGLE NEEDLE DIRECT DRIVE LOCK STITCHER WITH
ELECTRONIC FEEDING SYSTEM AND THREAD TRIMMER



brother

最新の部品情報は Parts Navigation でご覧いただけます。 <http://partsbook.brother.co.jp/partsnavi/jpn/>
The latest parts information, refer to the Parts Navigation. <http://partsbook.brother.co.jp/partsnavi/eng/>

型式板の見方



Description of model plate



P: Premier specifications

3: Medium-weight materials
5: Heavy-weight materials

0: Minimum lubrication type
3: Semi dry type

3: Without thread wiper
4: With standard thread wiper
5: With R thread wiper

パーツブックご利用に際して

1. このリストは、2015年6月のデータに基づいて作成されたものです。
2. 部品は予告なしに設計変更される場合があります。
3. 組単位で補給する部品は、破線で示してあります。
4. イラスト中で数字(REF.NO)に“+”がついている部品は、仕様により異なります。
詳細は、リストを参照してください。

目 次

| | | | |
|--------------------------|----|-----------------------|----|
| A. 主体関係 | 1 | Sp2. 仕様別部品一覧表 | |
| B. 針棒・天秤関係 | 3 | (米州向、中国向、輸出一般向) | 52 |
| C. 押え関係 | 7 | Sp3. 仕様別部品一覧表 | |
| D. 送り関係 | 11 | (欧州向) | 53 |
| E. 膝上げ関係 | 13 | Ga1. ゲージ部品一覧表 | |
| F. かま関係 | 15 | (中厚物用: 3枚歯) | 54 |
| G. 給油潤滑関係 | 17 | Ga2. ゲージ部品一覧表 | |
| H. 糸通し関係 | 19 | (中厚物用: 3枚歯) | 55 |
| J. 糸巻関係 | 23 | Ga3. ゲージ部品一覧表 | |
| K. 糸切り関係 | 25 | (厚物用: 3枚歯) | 56 |
| L. 糸緩め関係 | 29 | Ga4. ゲージ部品一覧表 | |
| M1. 糸払い関係(-4□□用) | 31 | (中厚物用: 4枚歯) | 57 |
| M2. 糸払い関係(-5□□用) | 33 | Ga5. ゲージ部品一覧表 | |
| N1. コントロールボックス関係 | 35 | (中厚物用: 4枚歯) | 58 |
| N2. コントロールボックス関係 | 39 | Ga6. ゲージ部品一覧表 | |
| P. 逆転スイッチ関係 | 41 | (中厚物用: 4枚歯) | 59 |
| Q. モーターカバー関係 | 43 | Ga7. ゲージ部品一覧表 | |
| T. 操作パネル関係 | 45 | (厚物用: 4枚歯) | 60 |
| U. モーター関係 | 47 | Ga8. ゲージ部品一覧表 | |
| V. 付属品関係 | 49 | (難素材・新素材用: 4枚歯) | 61 |
| Sp1. 仕様別部品一覧表(日本向) | 51 | Wa. 警告ラベル | 62 |
| | | 索引 | 64 |

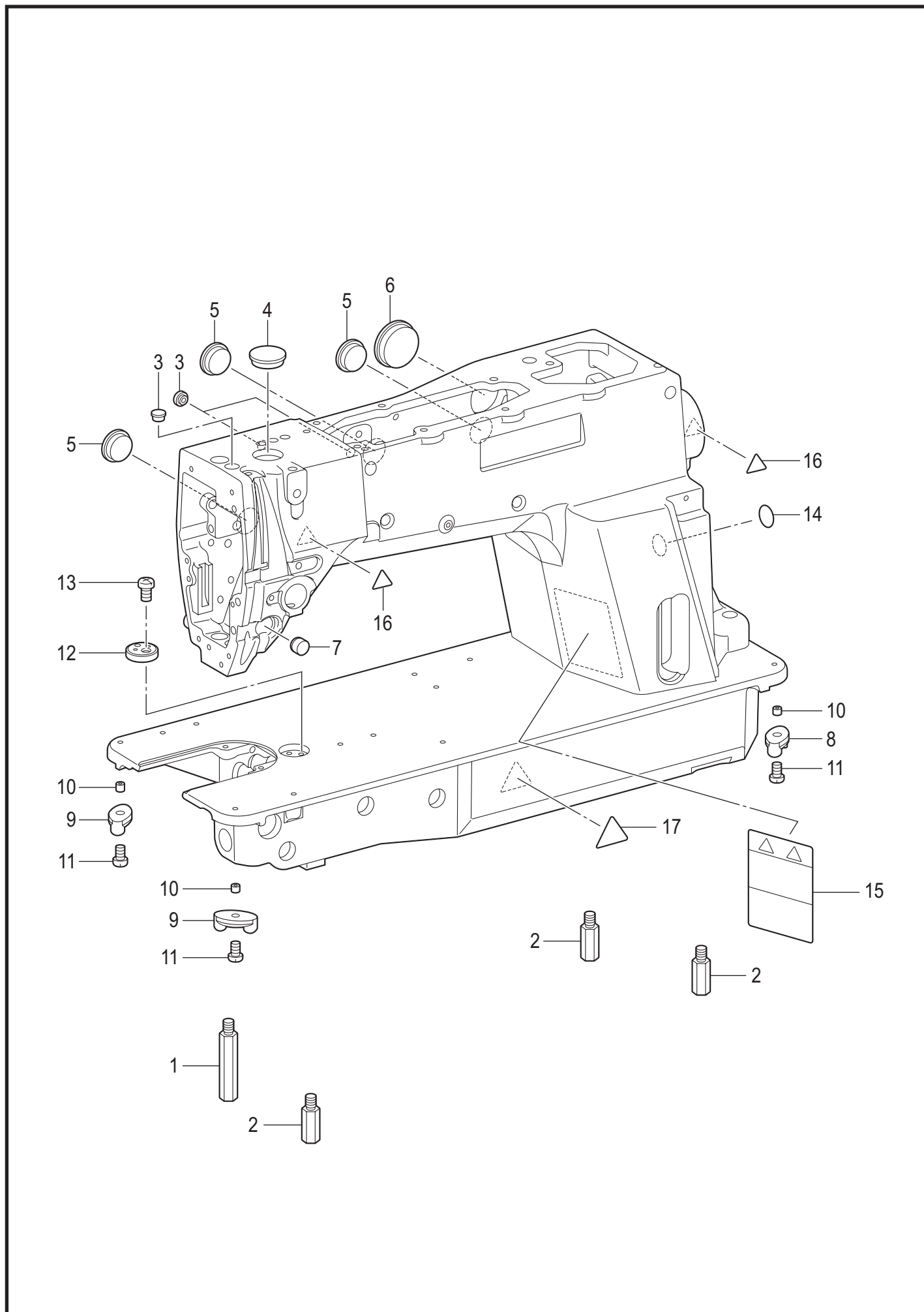
Notes for using this parts book

1. This book was prepared based on information available in June 2015.
2. Parts are subject to changes in design without prior notice.
3. Parts supplied as complete assemblies are circled by a dotted line.
4. The part which has the symbol "+" on its number (REF.NO) in the figure differs depending on the specification. For details, refer to the parts list.

CONTENTS

| | | | |
|--|----|--|----|
| A. Machine body | 1 | Sp2. Different parts list | |
| B. Needle bar and thread take-up mechanism ... | 3 | (For the Americas, China and General export) ... | 52 |
| C. Presser foot mechanism | 7 | Sp3. Different parts list | |
| D. Feed mechanism | 11 | (For Europe) | 53 |
| E. Knee lifter mechanism | 13 | Ga1. Gauge parts list | |
| F. Rotary hook mechanism | 15 | (Medium-weight materials : 3ROW) | 54 |
| G. Lubrication | 17 | Ga2. Gauge parts list | |
| H. Threading mechanism | 19 | (Medium-weight materials : 3ROW) | 55 |
| J. Bobbin winder mechanism | 23 | Ga3. Gauge parts list | |
| K. Thread trimmer mechanism | 25 | (Heavy-weight materials : 3ROW) | 56 |
| L. Tension release mechanism | 29 | Ga4. Gauge parts list | |
| M1. Thread wiper mechanism (For -4□□)..... | 31 | (Medium-weight materials : 4ROW) | 57 |
| M2. Thread wiper mechanism (For -5□□)..... | 33 | Ga5. Gauge parts list | |
| N1. Control box | 35 | (Medium-weight materials : 4ROW) | 58 |
| N2. Control box | 39 | Ga6. Gauge parts list | |
| P. Quick reverse switch mechanism | 41 | (Medium-weight materials : 4ROW) | 59 |
| Q. Motor cover | 43 | Ga7. Gauge parts list | |
| T. Operation panel | 45 | (Heavy-weight materials : 4ROW) | 60 |
| U. Motor mechanism | 47 | Ga8. Gauge parts list | |
| V. Accessories | 49 | (Difficult-to-sew materials & Shin-gosen : 4ROW) ... | 61 |
| Sp1. Different parts list (For Japan) | 51 | Wa. Warning labels | 62 |
| | | Index | 64 |

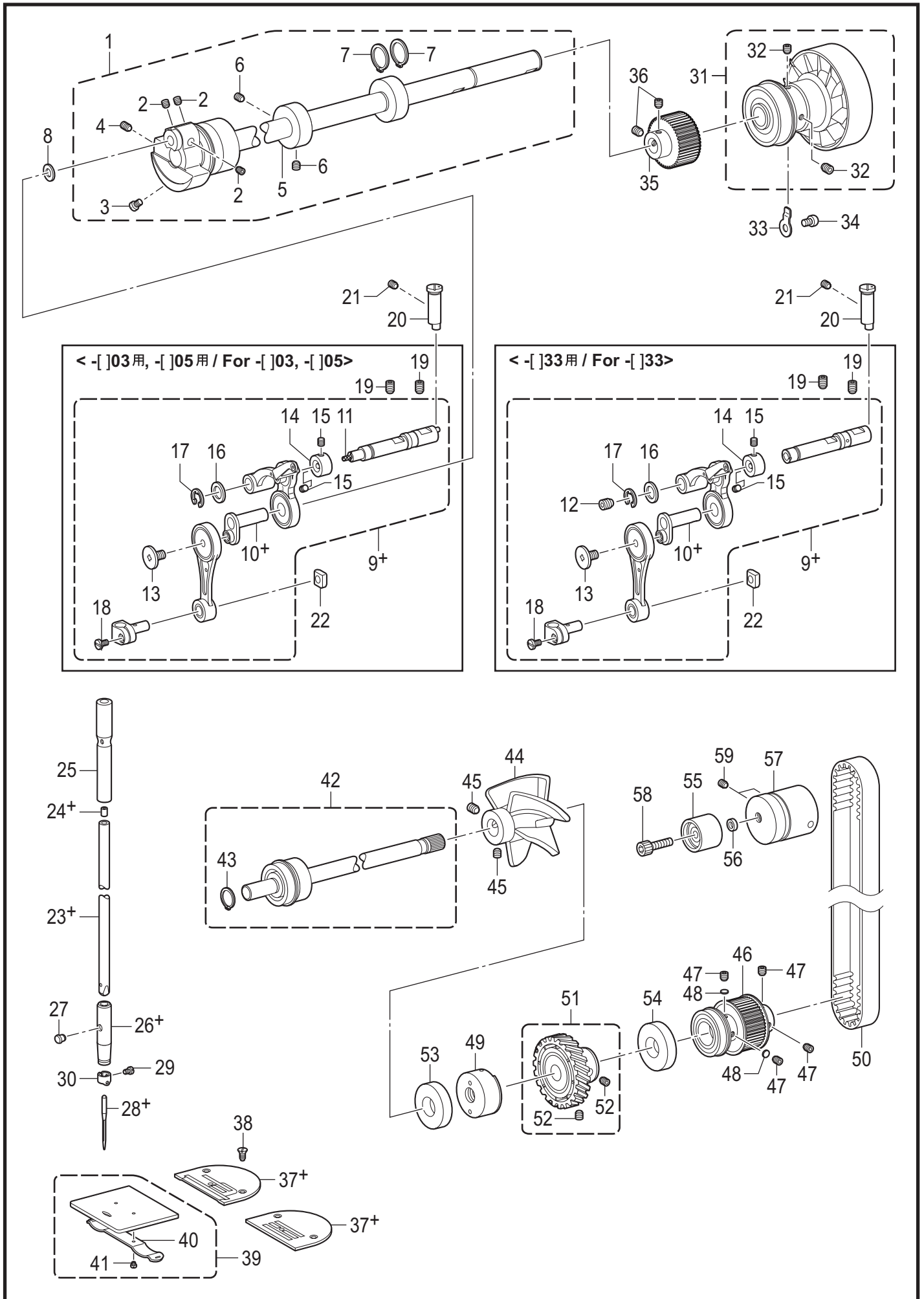
A. 主体関係 / Machine body



A. 主体関係 / Machine body

| REF.NO | CODE | Q'TY | 品名 | NAME OF PARTS | RM |
|--------|-----------|------|------------|------------------|----|
| 1 | SB3440001 | 1 | キヤクチュウL | STAND L | |
| 2 | SB4845001 | 3 | キヤクチュウR | STAND R | |
| 3 | 104450101 | 3 | ゴムセン8 | RUBBER CAP 8 | |
| 4 | SA5810001 | 1 | ゴムセン23.5 | RUBBER CAP 23.5 | |
| 5 | 159150000 | 3 | ゴムセン20.5 | RUBBER CAP 20.5 | |
| 6 | 150607000 | 1 | ゴムセン32.8 | RUBBER CAP 32.8 | |
| 7 | SB5043001 | 1 | ゴムセン15.5 | RUBBER CAP 15.5 | |
| 8 | SB5638001 | 1 | トウブシキゴムR | HEAD CUSHION R | |
| 9 | SB5044001 | 2 | トウブシキゴムL | HEAD CUSHION L | |
| 10 | SB5312001 | 3 | カラー4-5.3 | COLLAR 4-5.3 | |
| 11 | 060401216 | 3 | バインド4X12 | SCREW BIND M4X12 | |
| 12 | SB3850001 | 1 | ジョウギイタ | RULER PLATE | |
| 13 | 062400616 | 1 | ナベコ4X6 | SCREW PAN M4X6 | |
| 14 | S37060001 | 1 | ア-スマーク | LABEL, GROUNDING | |
| 15 | SA9826001 | 1 | ソウサチュウイラベル | LABEL CAUTION | |
| 16 | SA9957001 | 2 | ワ-ニングマ-ク | INJURY MARK | |
| 17 | SA9957002 | 1 | ワ-ニングマ-ク | INJURY MARK | |

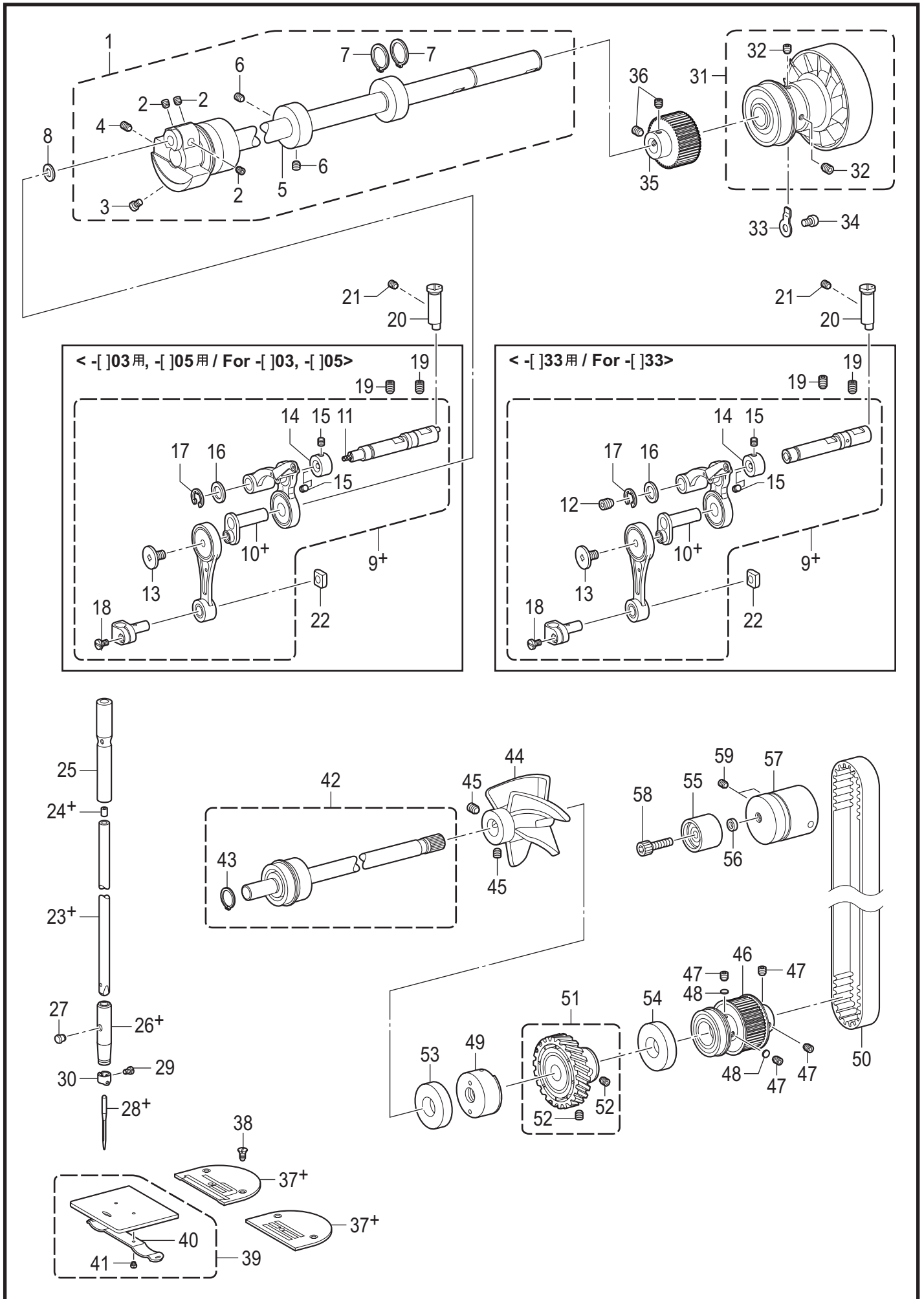
B. 針棒・天秤關係 / Needle bar and thread take-up mechanism



B. 針棒・天秤関係 / Needle bar and thread take-up mechanism

| REF.NO | CODE | Q'TY | 品名 | NAME OF PARTS | RM |
|--------|-----------|------|----------------|--------------------------------|----|
| 1 | SB5290101 | 1 | ウワジクミ | UPPER SHAFT ASSY | |
| 2 | S23651001 | 3 | アナヒラ6X6ホソメ | SET SCREW SOCKET (FT) M6X6 | |
| 3 | S25235001 | 1 | シメネジ8 | SCREW M8 | |
| 4 | S25236001 | 1 | アナヒラ6X10ホソメ | SET SCREW SOCKET (FT) M6X10 | |
| 5 | SA1120001 | 1 | イトマキドウリン | BOBBIN WINDER DRIVING WHEEL | |
| 6 | S23651001 | 2 | アナヒラ6X6ホソメ | SET SCREW SOCKET (FT) M6X6 | |
| 7 | 048150142 | 2 | トメワジクヨウC15 | RETAINING RING EXTERNAL C15 | |
| 8 | 110367001 | 1 | ザガネ | WASHER, PLAIN SPECIAL 8 | |
| | | | <-□03用> | <For -□03> | |
| 9+ | SB5248001 | 1 | ハリボウレンカンソウクミ3 | NEEDLE BAR CONNECTING ROD UNIT | |
| 10+ | SA7625001 | 1 | ハリボウクランク | NEEDLE BAR CRANK | |
| 11 | S32958000 | 1 | クミヒモ | WICK | |
| | | | <-□05用> | <For -□05> | |
| 9+ | SB5253001 | 1 | ハリボウレンカンソウクミ5 | NEEDLE BAR CONNECTING ROD UNIT | |
| 10+ | SA7626001 | 1 | ハリボウクランク | NEEDLE BAR CRANK | |
| 11 | S32958000 | 1 | クミヒモ | WICK | |
| | | | <-□33用> | <For -□33> | |
| 9+ | SB5252001 | 1 | ハリボウレンカンソウクミ3D | NEEDLE BAR CONNECTING ROD UNIT | |
| 10+ | SA7625001 | 1 | ハリボウクランク | NEEDLE BAR CRANK | |
| 12 | SA8061001 | 1 | アナクボミ3X4シール | SET SCREW SOCKET(CP)M3X4 SEAL | |
| 13 | SA2422001 | 1 | シメネジ3.57L | SCREW, SM3.57L | |
| 14 | SB3776001 | 1 | セツトカラー | SET SCREW COLLAR | |
| 15 | 012400436 | 2 | アナヒラ4X4 | SET SCREW SOCKET (FT) M4X4 | |
| 16 | SA2161001 | 1 | ザガネ | WASHER | |
| 17 | 048060342 | 1 | トメワE6 | RETAINING RING E6 | |
| 18 | 140004001 | 1 | シメネジ3.57 | SCREW, SM3.57-40X7 | |
| 19 | 012060636 | 2 | アナヒラ6X6 | SET SCREW SOCKET (FT) M6X6 | |
| 20 | SA7239101 | 1 | ストツパーピン | STOPPER PIN | |
| 21 | 012500536 | 1 | アナヒラ5X5 | SET SCREW SOCKET (FT) M5X5 | |
| 22 | 102630001 | 1 | ハリボウアンナイカクコマ | NEEDLE BAR GUIDE SLIDE BLOCK | |
| 23+ | *P.51-53 | 1 | ハリボウ | NEEDLE BAR | |
| | | | <-□□3用> | <For -□□3> | |
| 24+ | S04630000 | 1 | ハリボウセン | NEEDLE BAR CORK | |
| | | | <-□05用> | <For -□05> | |
| 24+ | 111863001 | 1 | ハリボウセン | NEEDLE BAR CORK | |
| 25 | SB5032001 | 1 | ハリボウメタルU | NEEDLE BAR BUSH U | |
| | | | <-□□3用> | <For -□□3> | |
| 26+ | SA1138101 | 1 | ハリボウメタルD | NEEDLE BAR BUSH D | |
| | | | <-□05用> | <For -□05> | |
| 26+ | SA1139101 | 1 | ハリボウメタルD | NEEDLE BAR BUSH D | |
| 27 | 104833001 | 1 | ゴムセン4.3 | RUBBER CAP 4.3 | |
| 28+ | *P.51-53 | 1 | ミシンハリ | NEEDLE | |
| 29 | 140553102 | 1 | アタマツキトメネジ3.18 | SET SCREW, SM3.18 | |
| 30 | 151594001 | 1 | ハリボウイトアンナイ | NEEDLE BAR THREAD GUIDE | |
| 31 | SB5318001 | 1 | プーリクミ | PULLEY ASSY | |
| 32 | S23651001 | 2 | アナヒラ6X6ホソメ | SET SCREW SOCKET (FT) M6X6 | |
| 33 | SB5227001 | 1 | ベアリングオサエ | BEARING HOLDER | |
| 34 | 062500816 | 1 | ナベコ5X8 | SCREW PAN M5X8 | |
| 35 | SB4849001 | 1 | タイミングプーリU | TIMING PULLEY U | |
| 36 | S23651001 | 2 | アナヒラ6X6ホソメ | SET SCREW SOCKET (FT) M6X6 | |

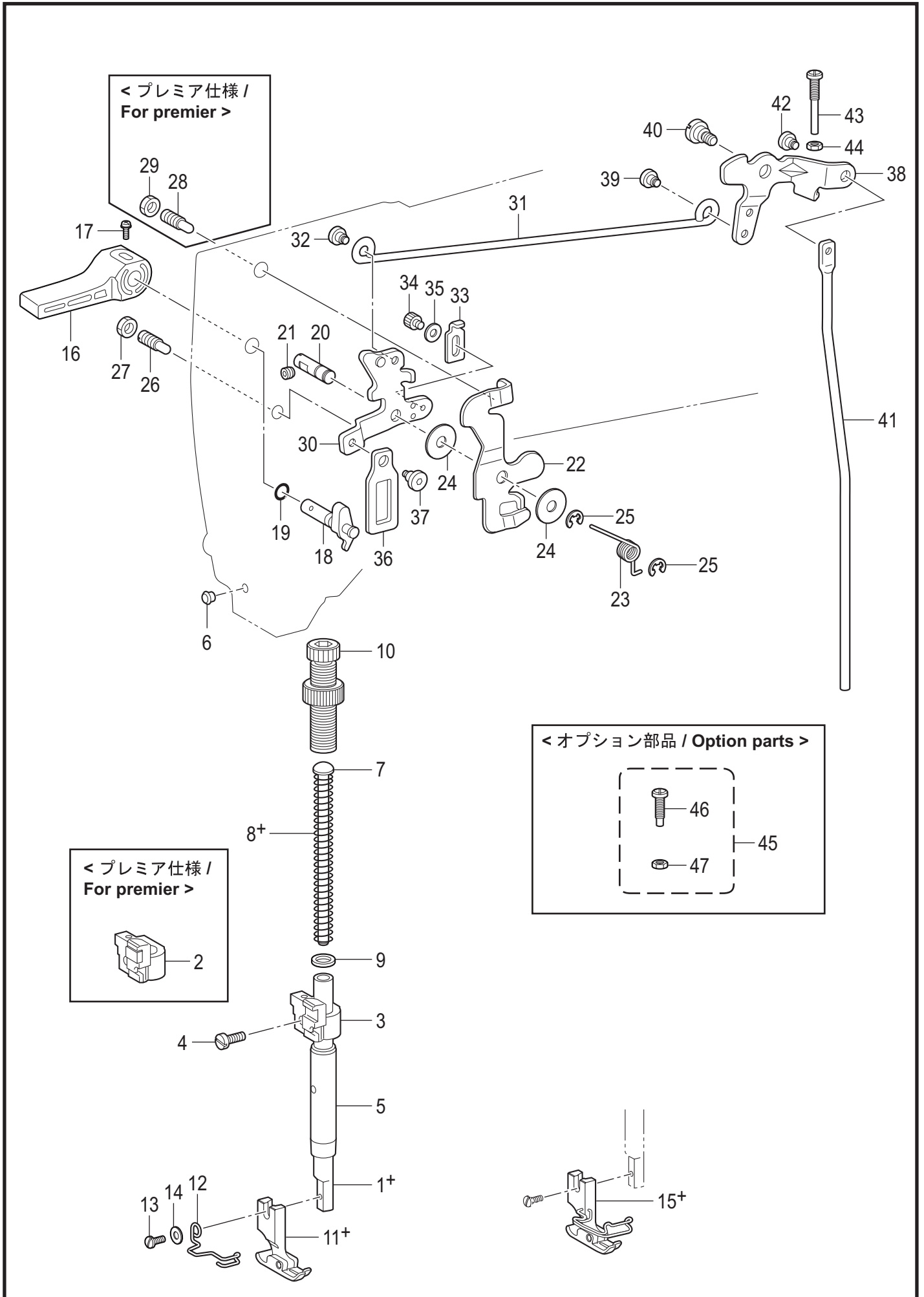
B. 針棒・天秤關係 / Needle bar and thread take-up mechanism



B. 針棒・天秤関係 / Needle bar and thread take-up mechanism

| REF.NO | CODE | Q'TY | 品名 | NAME OF PARTS | RM |
|--------|-----------|------|----------------|-----------------------------|----|
| 37+ | *P.51-53 | 1 | <3枚歯用> ハリイタ | <For 3ROW> NEEDLE PLATE | |
| 37+ | *P.51-53 | 1 | <4枚歯用> ハリイタ | <For 4ROW> NEEDLE PLATE | |
| 38 | 151267001 | 2 | サラネジ4.37 | SCREW, FLAT SM4.37-40X8 | |
| 39 | 180018151 | 1 | スベリイタクミ | SLIDE PLATE ASSY | |
| 40 | 114561001 | 1 | スベリイタウラバネ | SPRING, PLATE | |
| 41 | SA9523001 | 2 | シメネジ2.38 | SCREW SM2.38 | |
| 42 | SB5316101 | 1 | シタジククミ | LOWER SHAFT ASSY | |
| 43 | 048120142 | 1 | トメワジクヨウC12 | RETAINING RING EXTERNAL C12 | |
| 44 | SB4848001 | 1 | シタジクファン | LOWER SHAFT FAN | |
| 45 | S23651001 | 2 | アナヒラ6X6ホソメ | SET SCREW SOCKET (FT) M6X6 | |
| 46 | SB5291101 | 1 | タイミングプーリDオオクミ | TIMING PULLEY D UNIT | |
| 47 | S23651001 | 4 | アナヒラ6X6ホソメ | SET SCREW SOCKET (FT) M6X6 | |
| 48 | SA2378001 | 2 | カンザ4.8 | SPACER 4.8 | |
| 49 | SB5037001 | 1 | シタジクメタル | LOWER SHAFT BUSH | |
| 50 | SA2252101 | 1 | タイミングベルト | TIMING BELT | |
| 51 | SA1166001 | 1 | シタジクギアクミ | LOWER SHAFT GEAR ASSY | |
| 52 | S23651001 | 2 | アナヒラ6X6ホソメ | SET SCREW SOCKET (FT) M6X6 | |
| 53 | SB5628001 | 1 | オイルシール12-30 | OIL SEAL 12-30 | |
| 54 | SB5629001 | 1 | オイルシール12-35 | OIL SEAL 12-35 | |
| 55 | SB5317101 | 1 | テンションプーリクミ | TENSION PULLEY ASSY | |
| 56 | SB4857001 | 1 | テンションプーリカラー | COLLAR | |
| 57 | SB4858001 | 1 | ベルトチョウセツジク | REGULATION SHAFT | |
| 58 | SB5039001 | 1 | アナボルト8X25 | BOLT SOCKET M8X25 | |
| 59 | 012500536 | 2 | アナヒラ5X5 | SET SCREW SOCKET (FT) M5X5 | |

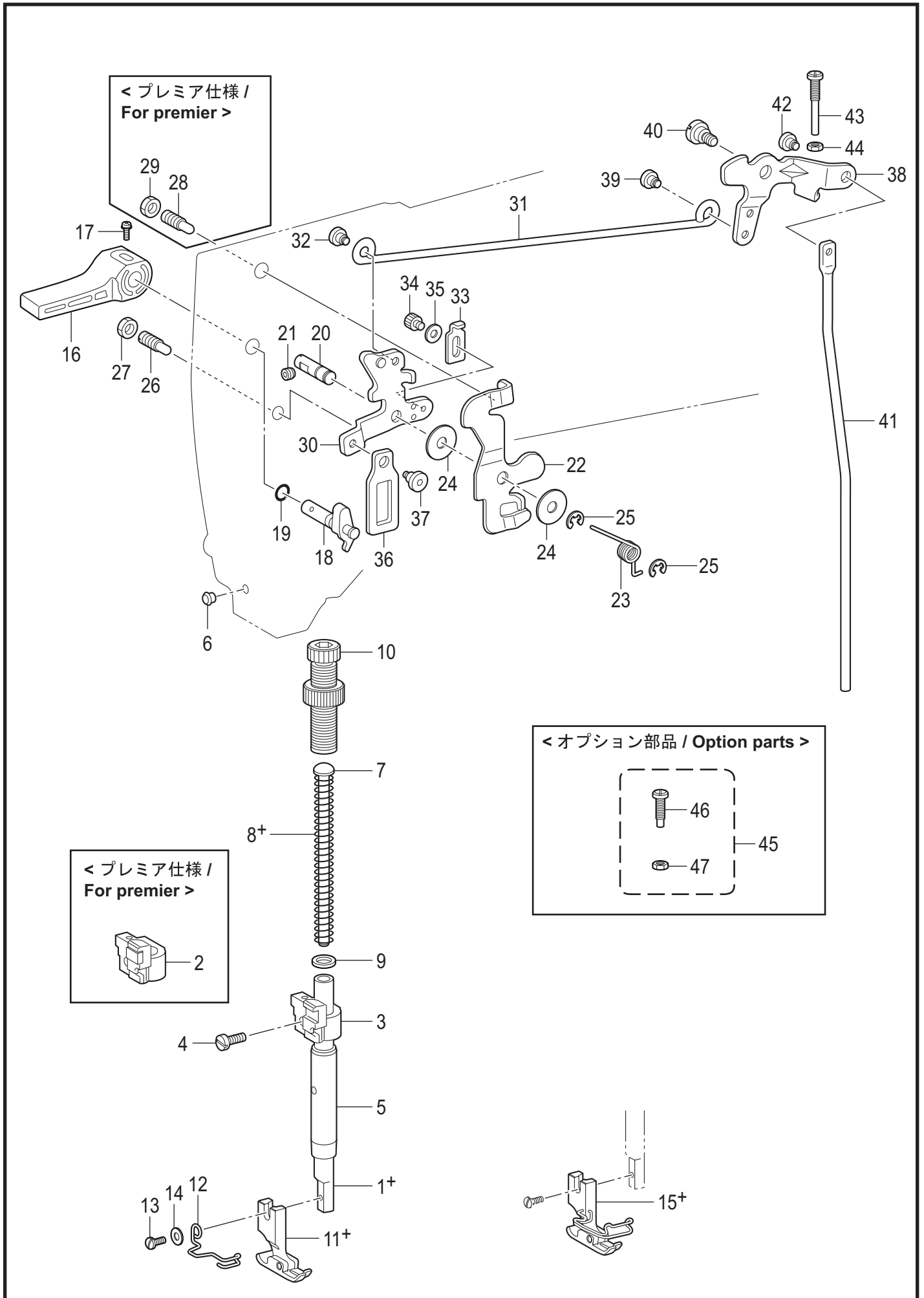
C. 押え関係 / Presser foot mechanism



C. 押え関係 / Presser foot mechanism

| REF.NO | CODE | Q'TY | 品名 | NAME OF PARTS | RM |
|--------|-----------|------|--------------------------|---|----|
| 1+ | SA9359001 | 1 | <-□□3用> オサエボウ | <For -□□3> PRESSER BAR | |
| 1+ | SA1173101 | 1 | <-□05用> オサエボウ | <For -□05> PRESSER BAR | |
| 2 | SB5049001 | 1 | <プレミア仕様> オサエボウダキクミP | <For premier> P-BAR GUIDE BRACKET ASSY P | |
| 3 | SB5305001 | 1 | オサエボウダキクミス | P-BAR GUIDE BRACKET ASSY S | |
| 4 | SA8903001 | 1 | シメネジ4X12 | SCREW M4X12 | |
| 5 | SA7242001 | 1 | オサエボウメタル | PRESSER BAR BUSH | |
| 6 | 104833001 | 1 | ゴムセン4.3 | RUBBER CAP 4.3 | |
| 7 | SA7607101 | 1 | オサエバネアンナイ | SPRING GUIDE | |
| 8+ | S13561101 | 1 | <-□□3用> オサエバネ | <For -□□3> PRESSER BAR SPRING | |
| 8+ | 141728001 | 1 | <-□05用> オサエバネ | <For -□05> PRESSER BAR SPRING | |
| 9 | 140407001 | 1 | ザガネ | WASHER | |
| 10 | SB5262001 | 1 | オサエチョウセツネジクミ | PRESSER ADJUSTING SCREW ASSY | |
| 11+ | *P.51-52 | 1 | <フィンガーガードねじ止め式> オサエクミ | <For finger guard screwed type> PRESSER FOOT ASSY | |
| 12 | SA8100101 | 1 | フィンガーガード | FINGER GUARD | |
| 13 | S13385001 | 1 | シメネジ3.57X10 | SCREW, SM3.57-40X10 | |
| 14 | 025350132 | 1 | ヒラザガネシヨウ3.5 | WASHER PLAIN S 3.5 | |
| 15+ | *P.53 | 1 | <フィンガーガード一体式> オサエクミ | <For finger guard integral type> PRESSER FOOT ASSY W/F-GUARD | |
| 16 | S31006002 | 1 | オサエアゲテコ | LIFTING LEVER | |
| 17 | S39051001 | 1 | ナベザクミ35X12 | SCREW, PAN (S/P W) M3.5X12 | |
| 18 | SB4864001 | 1 | オサエアゲクランク | PRESSER BAR LIFTER CRANK | |
| 19 | 081004070 | 1 | OリングP4 | O RING P4 | |
| 20 | SB4865001 | 1 | オサエアゲレバースジク | PRESSER BAR LIFTER LEVER SHAFT | |
| 21 | 012500536 | 1 | アナヒラ5X5 | SET SCREW SOCKET (FT) M5X5 | |
| 22 | SB4867101 | 1 | イトユルメイタ | TENSION RELEASE PLATE | |
| 23 | SB4873101 | 1 | オサエアゲレバーバネA | SPRING A | |
| 24 | SB5229001 | 2 | ザガネ7.3 | WASHER 7.3 | |
| 25 | 048050342 | 2 | トメワE5 | RETAINING RING E5 | |
| 26 | SB4870001 | 1 | イトユルメホジョピン | TENSION RELEASE SUPPORT PIN | |
| 27 | 021060306 | 1 | 3シュナット6 | NUT 3 M6 | |
| 28 | SB4870001 | 1 | <プレミア仕様> イトユルメホジョピン | <For premier> TENSION RELEASE SUPPORT PIN | |
| 29 | 021060306 | 1 | 3シュナット6 | NUT 3 M6 | |
| 30 | SB4866001 | 1 | オサエアゲレバー | PRESSER BAR LIFTER LEVER | |
| 31 | SB4872001 | 1 | ヒザアゲレンカン | KNEE LIFTER CONNECTING ROD | |
| 32 | SB5030001 | 1 | ダンネジM5 | SHOULDER SCREW M5 | |
| 33 | SB4868001 | 1 | イトユルメキリカエイタ | T-RELEASE REGULATOR PLATE | |
| 34 | 018400532 | 1 | アナボルト4X5 | BOLT SOCKET M4X5 | |
| 35 | 026040236 | 1 | ヒラザガネミガキ4 | WASHER PLAIN M 4 | |
| 36 | SB4869001 | 1 | ヒキアゲイタ | LIFTING PLATE | |
| 37 | SA1179001 | 1 | ダンネジ5 | SHOULDER SCREW, M5 | |
| 38 | SB4871001 | 1 | ヒザアゲレバー | KNEE LIFTER LEVER | |
| 39 | SB5030001 | 1 | ダンネジM5 | SHOULDER SCREW M5 | |
| 40 | SB0705101 | 1 | オサエアゲリンクダンネジ | LINK SHOULDER SCREW | |
| 41 | SB4874101 | 1 | ヒザアゲボウ | KNEE LIFTER BAR | |
| 42 | SA1179001 | 1 | ダンネジ5 | SHOULDER SCREW, M5 | |
| 43 | SB5031001 | 1 | チョウセツネジ6 | ADJUSTING SCREW 6 | |
| 44 | 021060306 | 1 | 3シュナット6 | NUT 3 M6 | |

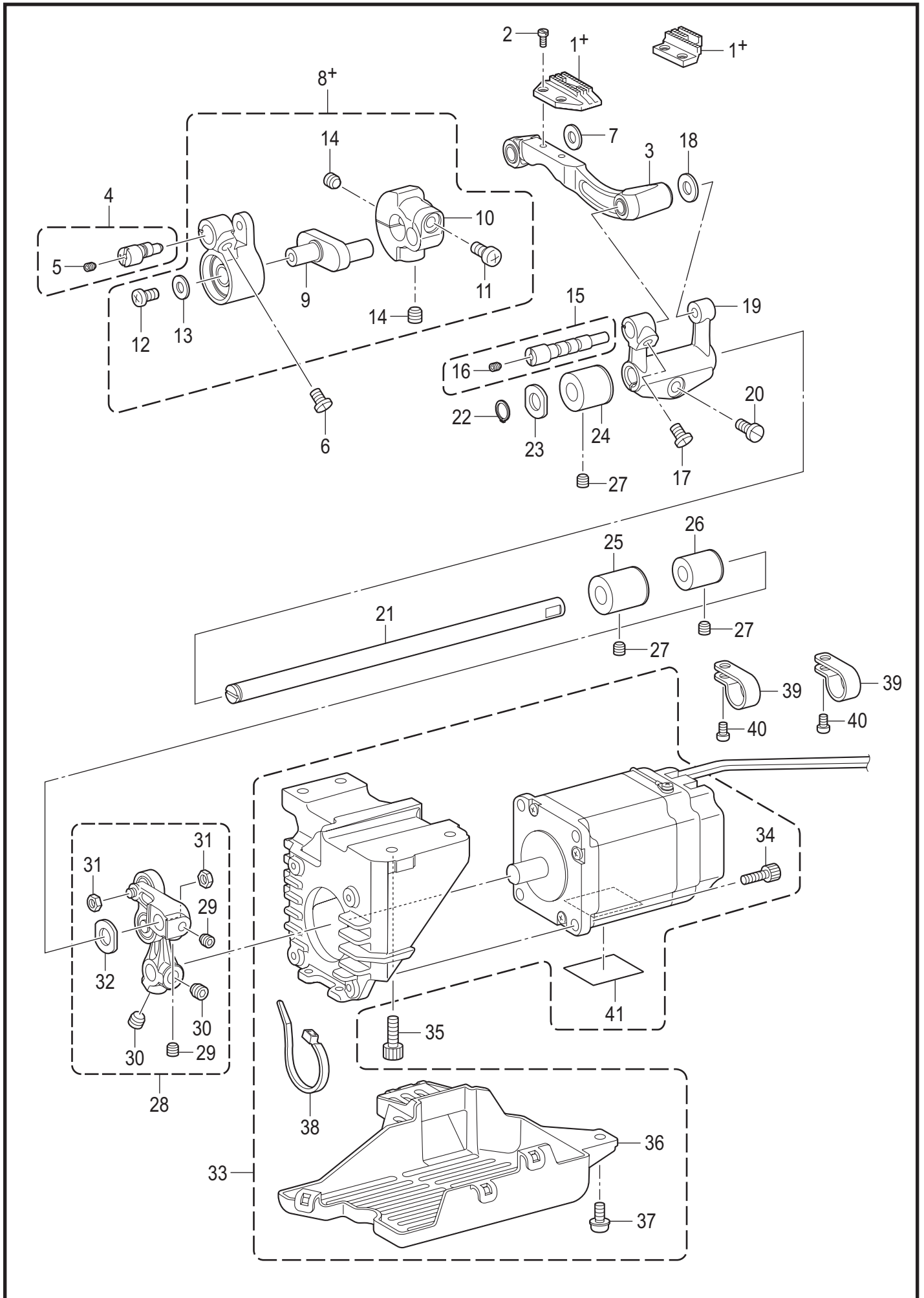
C. 押え関係 / Presser foot mechanism



C. 押え関係 / Presser foot mechanism

| REF.NO | CODE | Q'TY | 品名 | NAME OF PARTS | RM |
|--------|-----------|------|-------------------------|---------------------------------------|----|
| 45 | SB6564001 | 1 | <オプション部品> チョウセツネジセット | <OPTION PARTS> ADJUSTING SCREW SET | |
| 46 | SB5674001 | 1 | チョウセツネジ6 | ADJUSTING SCREW 6 | |
| 47 | 021060306 | 1 | 3シュナット6 | NUT 3 M6 | |

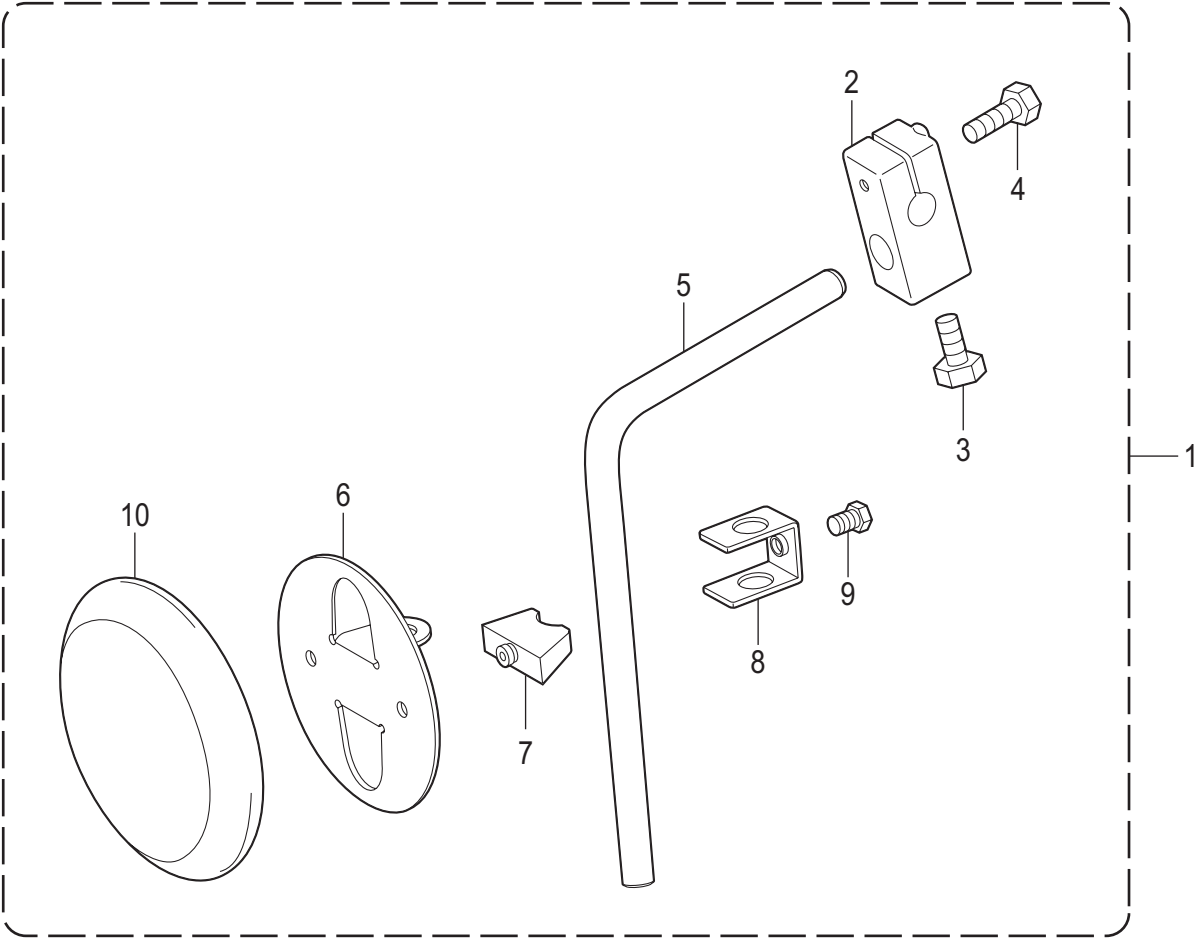
D. 送り関係 / Feed mechanism



D. 送り関係 / Feed mechanism

| REF.NO | CODE | Q'TY | 品名 | NAME OF PARTS | RM |
|--------|-----------|------|------------------------|------------------------------------|----|
| 1+ | *P.51-53 | 1 | <3枚歯用> オクリバ | <For 3ROW> FEED DOG | |
| 1+ | *P.51-53 | 1 | <4枚歯用> オクリバ | <For 4ROW> FEED DOG | |
| 2 | SB4900001 | 2 | シメネジ3 | SCREW M3 | |
| 3 | SB4879101 | 1 | オクリダイクミ | FEED BAR ASSY | |
| 4 | SB5315101 | 1 | ジョウゲオクリダイジククミ | FEED LIFTING R-BAR SHAFT ASSY | |
| 5 | 014300432 | 1 | アナクボミ3X4 | SET SCREW SOCKET (CP) M3X4 | |
| 6 | SA1242001 | 1 | アタマトメクボミ5X7 | SET SCREW 5X7 | |
| 7 | SB4894001 | 1 | ザガネ4.2 T0.8 | WASHER PLAIN 4.2 T0.8 | |
| 8+ | SB5294201 | 1 | <-□□3用> ジョウゲオクリクミ3 | <For -□□3> LIFTING FEED ASSY 3 | |
| 8+ | SB5297201 | 1 | <-□□05用> ジョウゲオクリクミ5 | <For -□□05> LIFTING FEED ASSY 5 | |
| 9 | SB4885101 | 1 | ジョウゲオクリ克蘭ク | LIFTING FEED CRANK | |
| 10 | SB4888101 | 1 | ジョウゲオクリウデ | LIFTING FEED ARM | |
| 11 | 062501016 | 1 | ナベコ5X10 | SCREW PAN M5X10 | |
| 12 | 060401016 | 1 | バインド4X10 | SCREW BIND M4X10 | |
| 13 | SB4901001 | 1 | ザガネ4.2 T1.5 | WASHER PLAIN 4.2 T1.5 | |
| 14 | S23651001 | 2 | アナヒラ6X6ホソメ | SET SCREW SOCKET (FT) M6X6 | |
| 15 | SB5314101 | 1 | オクリダイジククミ | FEED BAR SHAFT ASSY | |
| 16 | 014300432 | 1 | アナクボミ3X4 | SET SCREW SOCKET (CP) M3X4 | |
| 17 | SA1242001 | 1 | アタマトメクボミ5X7 | SET SCREW 5X7 | |
| 18 | SB4894001 | 1 | ザガネ4.2 T0.8 | WASHER PLAIN 4.2 T0.8 | |
| 19 | SB4887001 | 1 | スイヘイオクリダイウデ | FEED ROCK BRACKET ARM | |
| 20 | SA7257001 | 1 | シメネジ5X12 | SCREW 5X12 | |
| 21 | SB4889001 | 1 | スイヘイオクリジク | FEED ROCK SHAFT | |
| 22 | 048080142 | 1 | トメワジクヨウC8 | RETAINING RING EXTERNAL C8 | |
| 23 | SB4893101 | 1 | ザガネ8 | WASHER PLAIN 8 | |
| 24 | SB4882001 | 1 | オクリジクメタルL | FEED SHAFT BUSH L | |
| 25 | SB4883001 | 1 | オクリジクメタルM | FEED SHAFT BUSH M | |
| 26 | SB4884001 | 1 | オクリジクメタルR | FEED SHAFT BUSH R | |
| 27 | 012500536 | 3 | アナヒラ5X5 | SET SCREW SOCKET (FT) M5X5 | |
| 28 | SB5300201 | 1 | スイヘイオクリリンクソウクミ | FEED ROCK LINK UNIT | |
| 29 | 012500536 | 2 | アナヒラ5X5 | SET SCREW SOCKET (FT) M5X5 | |
| 30 | S23651001 | 2 | アナヒラ6X6ホソメ | SET SCREW SOCKET (FT) M6X6 | |
| 31 | 021350106 | 2 | 1シュナット35 | NUT 1 M3.5 | |
| 32 | SB4893101 | 1 | ザガネ8 | WASHER PLAIN 8 | |
| 33 | SB6430101 | 1 | Pモータクミ | P MOTOR ASSY | |
| 34 | 018401436 | 4 | アナボルト4X14 | BOLT SOCKET M4X14 | |
| 35 | 018501436 | 4 | アナボルト5X14 | BOLT SOCKET M5X14 | |
| 36 | SB4892201 | 1 | PMカバー | PM COVER | |
| 37 | 0A5401006 | 3 | +ナベザクミ4X10DB | SCREW PAN (S/P WASHER) M4X10 | |
| 38 | 228475000 | 1 | ケツソクバンド1.9X80 | FASTENING BAND 1.9X80 | |
| 39 | 149287000 | 2 | ナイロンランプ | CORD HOLDER 7N | |
| 40 | 0A5401006 | 2 | +ナベザクミ4X10DB | SCREW PAN (S/P WASHER) M4X10 | |
| 41 | SA4224001 | 1 | マークチュウイ30X40 | MARK ATTENTION 30X40 | |

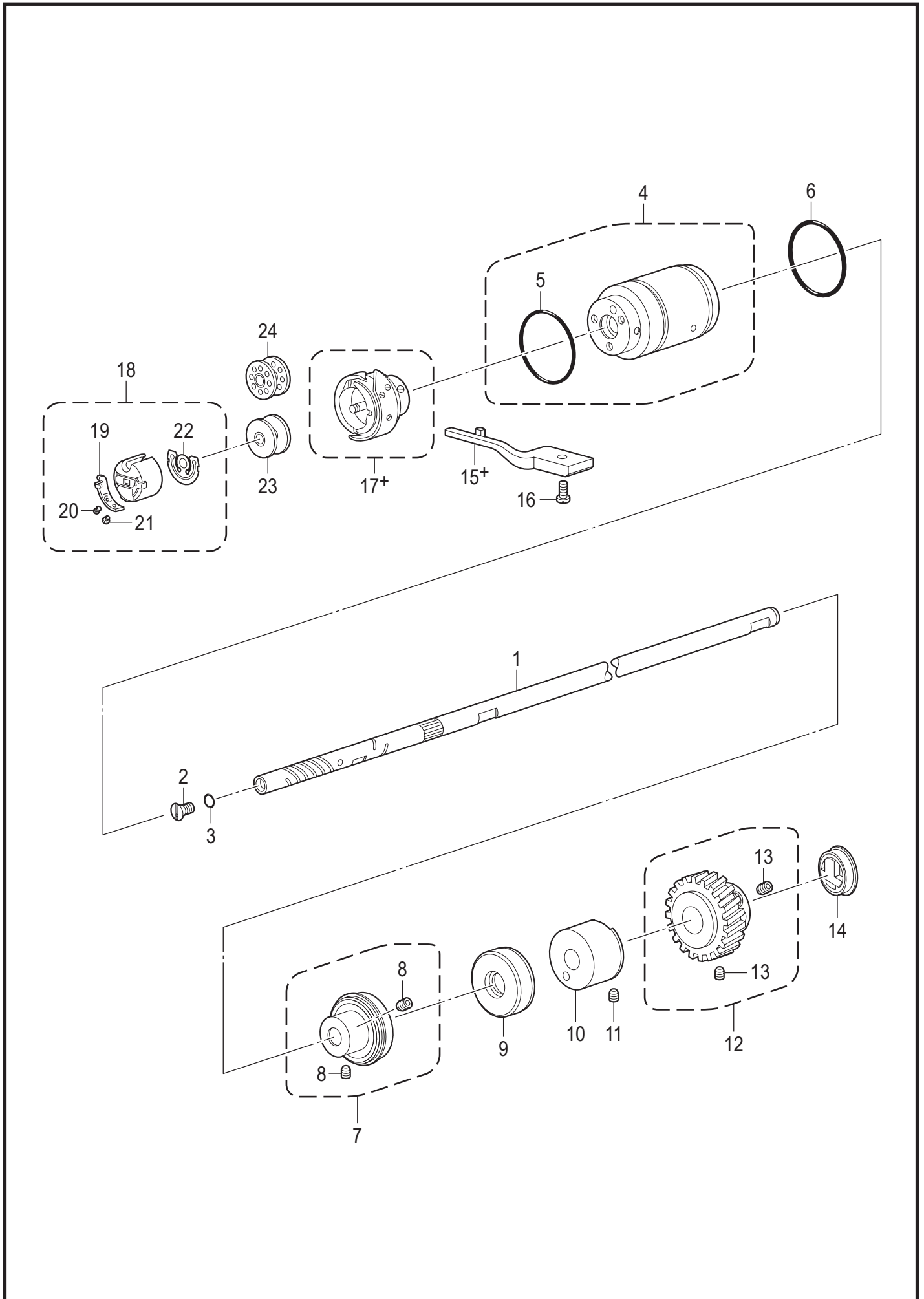
E. 膝上げ関係 / Knee lifter mechanism



E. 膝上げ関係 / Knee lifter mechanism

| REF.NO | CODE | Q'TY | 品名 | NAME OF PARTS | RM |
|--------|-----------|------|----------|---------------------------|----|
| 1 | SB3854001 | 1 | ヒザアテクミ | KNEE LIFTER ASSY | |
| 2 | SB1603001 | 1 | ヒザアテツギテ | KNEE LIFTER BRACKET | |
| 3 | SB1604001 | 1 | ボルト6X15 | BOLT 6X15 | |
| 4 | SB1605001 | 1 | ボルト6X24 | BOLT 6X24 | |
| 5 | SB3480001 | 1 | ヒザアゲタテジク | KNEE LIFTER BAR | |
| 6 | SB1607001 | 1 | ヒザアテ | KNEE LIFTER PLATE | |
| 7 | SB1608001 | 1 | ヒザアテササエ | KNEE LIFTER SUPPORT | |
| 8 | SB1609001 | 1 | ヒザアテストップ | KNEE LIFTER PLATE STOPPER | |
| 9 | SB1610001 | 1 | ボルト6X12 | BOLT 6X12 | |
| 10 | SB1611001 | 1 | ヒザアテカバー | KNEE LIFTER PLATE COVER | |

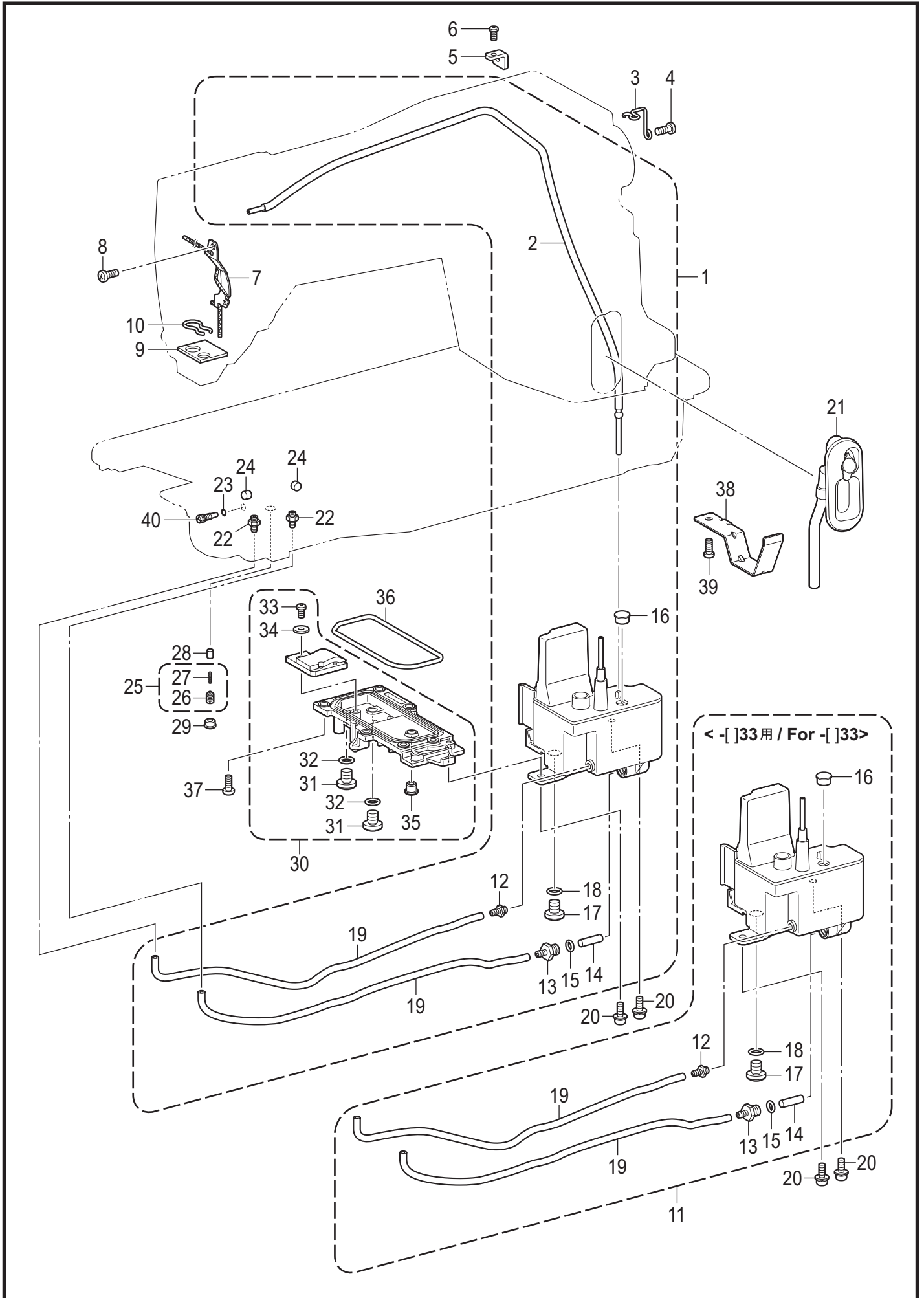
F. かま関係 / Rotary hook mechanism



F. かま関係 / Rotary hook mechanism

| REF.NO | CODE | Q'TY | 品名 | NAME OF PARTS | RM |
|--------|-----------|------|---------------|-------------------------------|----|
| 1 | SB4903001 | 1 | カマジク | ROTARY HOOK SHAFT | |
| 2 | SB5269001 | 1 | オイルアナフタネジクミ | SCREW CAP W/HOLE ASSY | |
| 3 | 081004870 | 1 | OリングS4 | O RING S4 | |
| 4 | SB5270001 | 1 | ポンプメタルクミ | PUMP BUSH ASSY | |
| 5 | 081025870 | 1 | OリングS25 | O RING S25 | |
| 6 | 081029870 | 1 | OリングS29 | O RING S29 | |
| 7 | SB5272001 | 1 | ベアリングブッシュクミ | BEARING BUSH ASSY | |
| 8 | S23651001 | 2 | アナヒラ6X6ホソメ | SET SCREW SOCKET (FT) M6X6 | |
| 9 | SA9684001 | 1 | オイルシール | OIL SEAL | |
| 10 | SB4904101 | 1 | カマジクギヤメタル | ROTARY HOOK SHAFT GEAR BUSH | |
| 11 | 012060636 | 1 | アナヒラ6X6 | SET SCREW SOCKET (FT) M6X6 | |
| 12 | SA1286001 | 1 | カマジクギアクミ | ROTARY HOOK SHAFT GEAR ASSY | |
| 13 | S23651001 | 2 | アナヒラ6X6ホソメ | SET SCREW SOCKET (FT) M6X6 | |
| 14 | SB5275101 | 1 | ゴムセン23.5クミ | RUBBER CAP 23.5 ASSY | |
| | | | <-□□3用> | <For -□□3> | |
| 15+ | SB5041001 | 1 | ウチカマトメ3 | HOOK STOPPER 3 | |
| | | | <-□□05用> | <For -□□05> | |
| 15+ | SB5042001 | 1 | ウチカマトメ5 | HOOK STOPPER 5 | |
| 16 | SA8903001 | 1 | シメネジ4X12 | SCREW M4X12 | |
| | | | <-□□3用> | <For -□□3> | |
| 17+ | SB1305001 | 1 | SB3338 カマハコクミ | ROTARY HOOK ASSY W/BOX SB3338 | |
| | | | <-□□3プレミア仕様> | <For -□□3 premier> | |
| 17+ | SB6568001 | 1 | SB5274 カマハコクミ | ROTARY HOOK ASSY W/BOX SB5274 | |
| | | | <-□□05用> | <For -□□05> | |
| 17+ | SB1677001 | 1 | SB1678 カマハコクミ | ROTARY HOOK ASSY W/BOX SB1678 | |
| 18 | S03245001 | 1 | ボビンケースクミ | BOBBIN CASE ASSY | |
| 19 | 183388001 | 1 | ボビンケースチヨウシバネ | TENSION SPRING | |
| 20 | 183389001 | 1 | チヨウシバネチヨウセツネジ | ADJUSTING SCREW | |
| 21 | 183390001 | 1 | チヨウシバネトメネジ | SET SCREW | |
| 22 | S03246001 | 1 | クウテンボウシバネ | ANTI-SPIN SPRING | |
| | | | <-□□3用> | <For -□□3> | |
| 23 | 146290001 | 1 | ボビン | BOBBIN | |
| | | | <-□□05用> | <For -□□05> | |
| 24 | 117132001 | 1 | ボビン | BOBBIN | |

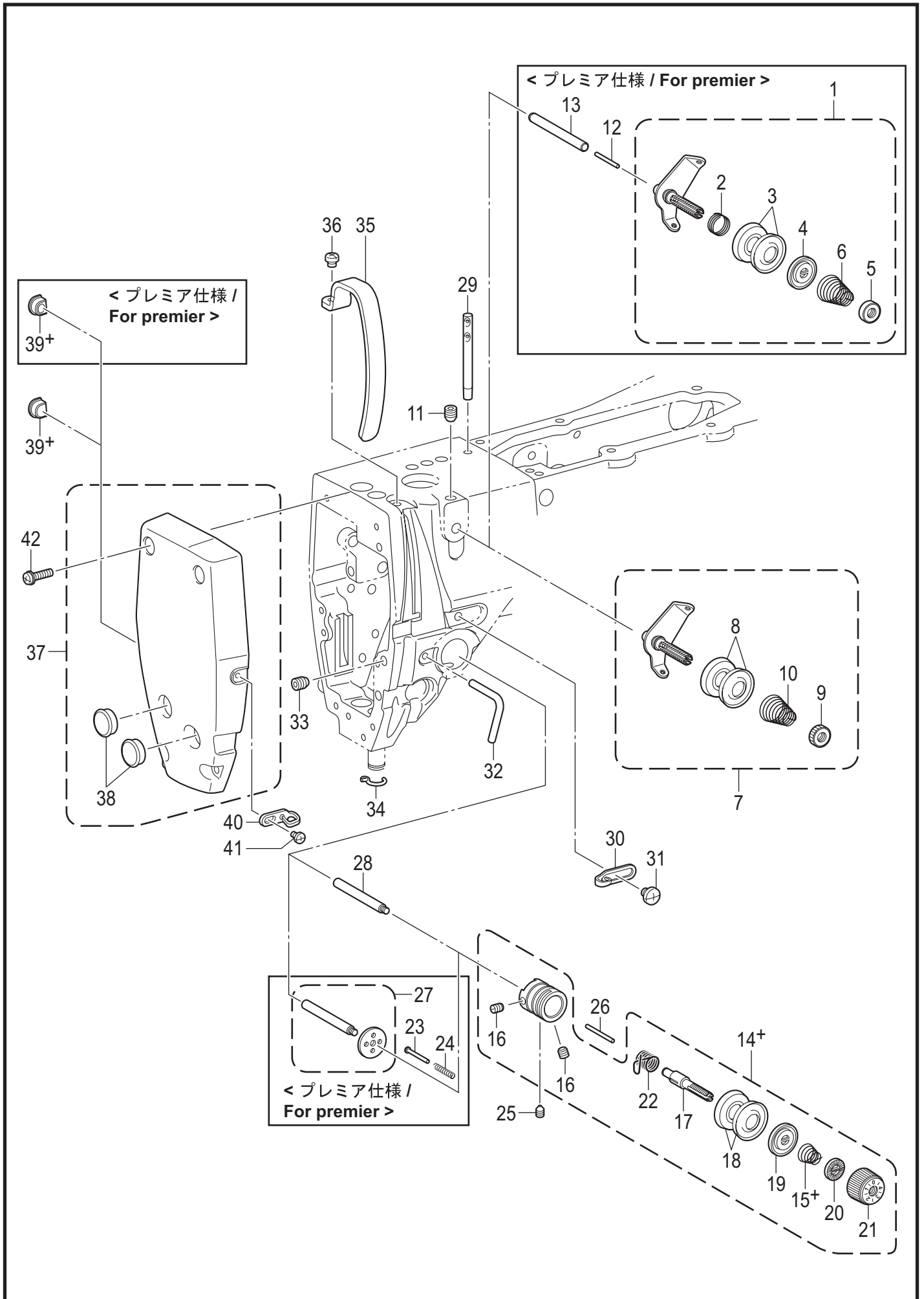
G. 給油潤滑關係 / Lubrication



G. 給油潤滑関係 / Lubrication

| REF.NO | CODE | Q'TY | 品名 | NAME OF PARTS | RM |
|--------|-----------|------|---------------|------------------------------|----|
| | | | <-□0□用> | <For -□0□> | |
| 1 | SB5276101 | 1 | オイルタンクソウクミ | OIL TANK UNIT | |
| 2 | SB5281001 | 1 | ビニールチューブクミ | OIL TUBE ASSY | |
| 3 | SB4911001 | 1 | チューブホルダU | TUBE HOLDER U | |
| 4 | 062501216 | 1 | ナベコ5X12 | SCREW PAN M5X12 | |
| 5 | SB5002001 | 1 | チューブフックU | TUBE HOOK U | |
| 6 | 062400816 | 1 | ナベコ4X8 | SCREW PAN M4X8 | |
| 7 | SB5287001 | 1 | トウシンホルダークミ | WICK HOLDER ASSY | |
| 8 | 062500816 | 1 | ナベコ5X8 | SCREW PAN M5X8 | |
| 9 | SB5036001 | 1 | ハリボウフェルト | NEEDLE BAR FELT | |
| 10 | 145737021 | 1 | フェルトオサエ | FELT SUPPORT | |
| | | | <-□33用> | <For -□33> | |
| 11 | SB5639101 | 1 | オイルタンクソウクミD | OIL TANK UNIT D | |
| 12 | S25382001 | 1 | オイルクチ | OIL FEEDING PIPE | |
| 13 | SA8989001 | 1 | オイルクチ | OIL FEEDING PIPE | |
| 14 | SA8987001 | 1 | フィルタ | FILTER | |
| 15 | 081006670 | 1 | OリングPW6 | O RING PW6 | |
| 16 | 104821001 | 1 | ゴムセン10.5 | RUBBER CAP 10.5 | |
| 17 | SA1303101 | 1 | シメネジ8 | SCREW M8 | |
| 18 | 081008070 | 1 | OリングP8 | O RING P8 | |
| 19 | SB5280001 | 2 | ビニールチューブ(350) | VINYL TUBE (350) | |
| 20 | 0A4501206 | 2 | +ナベザクミ5X12DA | SCREW PAN (S/P WASHER) M5X12 | |
| 21 | SB5284201 | 1 | キュウユクチクミ | OIL FEEDING POCKET ASSY | |
| 22 | S25382001 | 2 | オイルクチ | OIL FEEDING PIPE | |
| 23 | 081004870 | 1 | OリングS4 | O RING S4 | |
| 24 | 140327001 | 2 | ゴムセン6.3 | RUBBER CAP 6.3 | |
| 25 | SA7636201 | 1 | ポンプフタネジクミ | PUMP CAP SCREW ASSY | |
| 26 | S25380601 | 1 | ポンプフタネジ | CAP SCREW PUMP | |
| 27 | S52764001 | 1 | プランジャーバネ | SPRING COMPRESSION | |
| 28 | 144875001 | 1 | プランジャー | PLUNGER | |
| 29 | SB4915001 | 1 | ゴムセン | RUBBER CAP | |
| 30 | SB5286201 | 1 | ベッドソコフタクミ | BED BOTTOM COVER ASSY | |
| 31 | SA1303101 | 2 | シメネジ8 | SCREW M8 | |
| 32 | 081008070 | 2 | OリングP8 | O RING P8 | |
| 33 | 062400816 | 1 | ナベコ4X8 | SCREW PAN M4X8 | |
| 34 | 025040332 | 1 | ヒラザガネダイ4 | WASHER PLAIN L 4 | |
| 35 | SB5675001 | 1 | ゴムセン8 | RUBBER CAP 8 | |
| 36 | SB4918001 | 1 | ソコフタパッキン | BOTTOM COVER PACKING | |
| 37 | 062501216 | 6 | ナベコ5X12 | SCREW PAN M5X12 | |
| 38 | SB5004001 | 1 | オイルタンクガード | OIL TANK GUARD | |
| 39 | 062501216 | 1 | ナベコ5X12 | SCREW PAN M5X12 | |
| 40 | SB4916001 | 1 | オイルチョウセツネジ | ADJUSTING SCREW | |

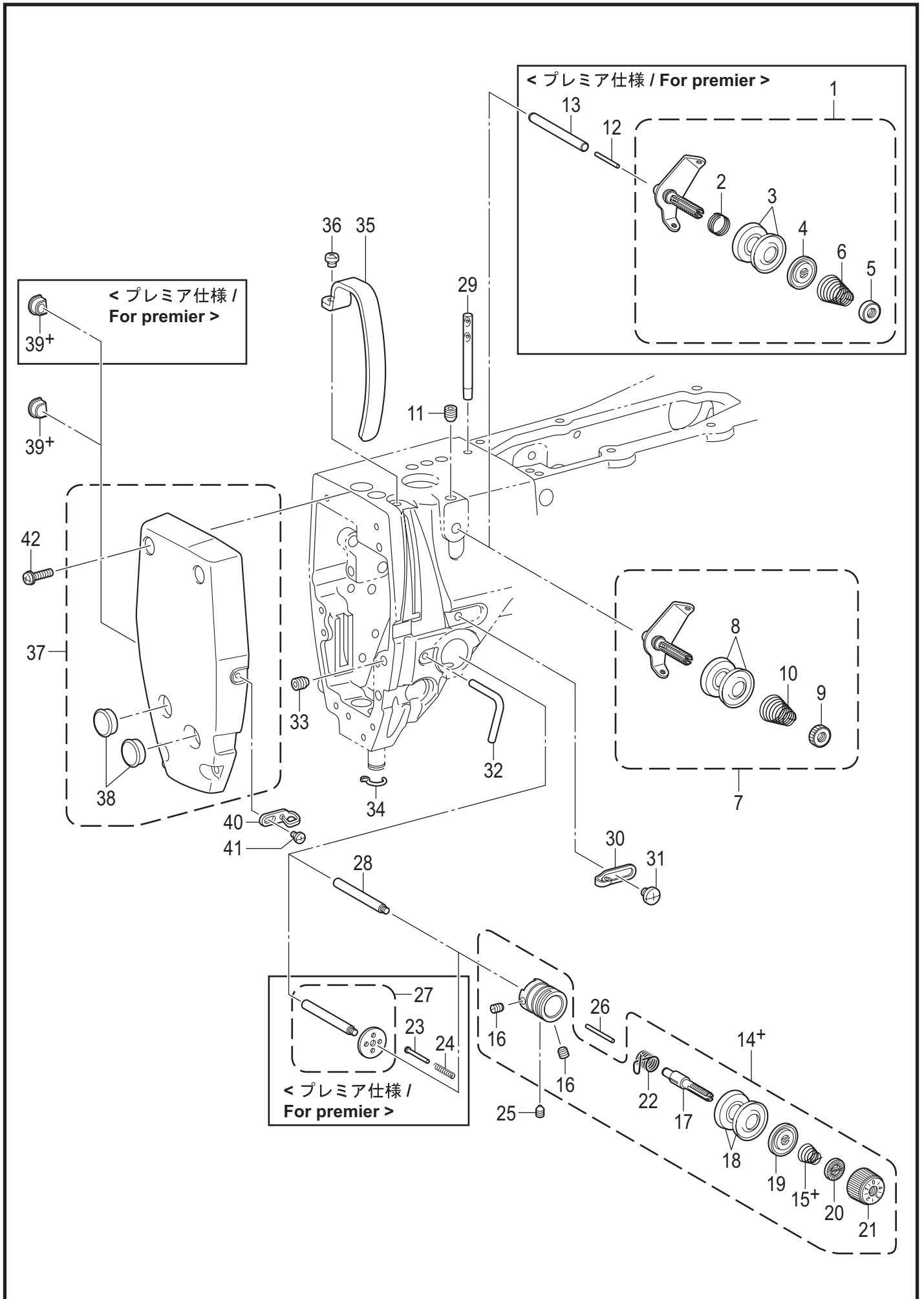
H. 糸通し関係 / Threading mechanism



H. 糸通し関係 / Threading mechanism

| REF.NO | CODE | Q'TY | 品名 | NAME OF PARTS | RM |
|--------|-----------|------|----------------|-------------------------------|----|
| | | | <プレミア仕様> | <For premier> | |
| 1 | SB5265201 | 1 | プレテンションクミP | PRE-TENSION ASSY P | |
| 2 | SB4933001 | 1 | イトアンナイバネA | THREAD GUIDE SPRING | |
| 3 | 145446001 | 2 | イトチヨウシサラ | DISC TENSION | |
| 4 | 159805001 | 1 | イトチヨウシサラオサエ | TENSION DISC PRESSER | |
| 5 | 100136001 | 1 | イトチヨウシナツト | TENSION NUT | |
| 6 | SA4146101 | 1 | フクチヨウシバネ | SUB TENSION SPRING | |
| 7 | SB5313201 | 1 | プレテンションクミス | PRE-TENSION ASSY S | |
| 8 | 145446001 | 2 | イトチヨウシサラ | DISC TENSION | |
| 9 | 100136001 | 1 | イトチヨウシナツト | TENSION NUT | |
| 10 | SA4146101 | 1 | フクチヨウシバネ | SUB TENSION SPRING | |
| 11 | 012500536 | 1 | アナヒラ5X5 | SET SCREW SOCKET (FT) M5X5 | |
| | | | <プレミア仕様> | <For premier> | |
| 12 | SB4928001 | 1 | イトユルメピンA | TENSION RELEASE PIN A | |
| 13 | SB4929001 | 1 | イトユルメボウA | TENSION RELEASE STUD A | |
| | | | <-□□3用> | <For -□□3> | |
| 14+ | SB6683001 | 1 | イトチヨウシボウダイクミ3 | THREAD TENSION BRACKET ASSY 3 | |
| 15+ | SB6681001 | 1 | イトチヨウシバネ3 | TENSION SPRING 3 | |
| | | | <-□□05用> | <For -□□05> | |
| 14+ | SB6684001 | 1 | イトチヨウシボウダイクミ5 | THREAD TENSION BRACKET ASSY 5 | |
| 15+ | SB6686001 | 1 | イトチヨウシバネ5 | TENSION SPRING 5 | |
| 16 | 100402004 | 2 | トメネジ3.57 | SET SCREW SM3.57 | |
| 17 | SB6680001 | 1 | イトチヨウシボウL | TENSION BAR L | |
| 18 | 145446001 | 2 | イトチヨウシサラ | DISC TENSION | |
| 19 | 159805001 | 1 | イトチヨウシサラオサエ | TENSION DISC PRESSER | |
| 20 | S12441001 | 1 | チヨウシバネウエザガネ | WASHER | |
| 21 | S31032002 | 1 | イトチヨウシナツト | TENSION NUT | |
| 22 | S02620401 | 1 | イトトリバネ | THREAD TAKE-UP SPRING | |
| | | | <プレミア仕様> | <For premier> | |
| 23 | SB4922101 | 1 | イトトリバネストッパ | THREAD TAKE-UP SPRING STOPPER | |
| 24 | SB4923001 | 1 | ストッパヨウバネ | STOPPER SPRING | |
| 25 | SA1229101 | 1 | アナトメネジ6トガリ | SET SCREW (FT) M6X6 | |
| 26 | S01419000 | 1 | イトユルメピン | TENSION RELEASE PIN | |
| | | | <プレミア仕様> | <For premier> | |
| 27 | SB5627001 | 1 | イトユルメボウクミ | TENSION RELEASE STUD ASSY | |
| 28 | SB4925001 | 1 | イトユルメボウ | TENSION RELEASE STUD | |
| 29 | SB3595101 | 1 | イトタテボウ | SPOOL PIN | |
| 30 | SA1345001 | 1 | アームイトアンナイR | ARM THREAD GUIDE, R | |
| 31 | 060500616 | 1 | バインド5X6 | SCREW BIND M5X6 | |
| 32 | SB4934001 | 1 | アームイトカケ | ARM THREAD GUIDE | |
| 33 | 012500536 | 1 | アナヒラ5X5 | SET SCREW SOCKET (FT) M5X5 | |
| 34 | SA7272201 | 1 | ハリボウメタルDイトアンナイ | THREAD GUIDE D | |
| 35 | SA9854001 | 1 | テンビンカバー | THREAD TAKE-UP LEVER COVER | |
| 36 | 062500816 | 1 | ナベコ5X8 | SCREW PAN M5X8 | |
| 37 | SB5630101 | 1 | メンイタクミ | FACE PLATE ASSY | |
| 38 | SA7849001 | 2 | ゴムセン | RUBBER CAP | |
| | | | <プレミア仕様> | <For premier> | |
| 39+ | SB4932001 | 1 | メンイタゴムセンP | FACE PLATE RUBBER CAP P | |
| 39+ | SB5236001 | 1 | メンイタゴムセンS | FACE PLATE RUBBER CAP S | |

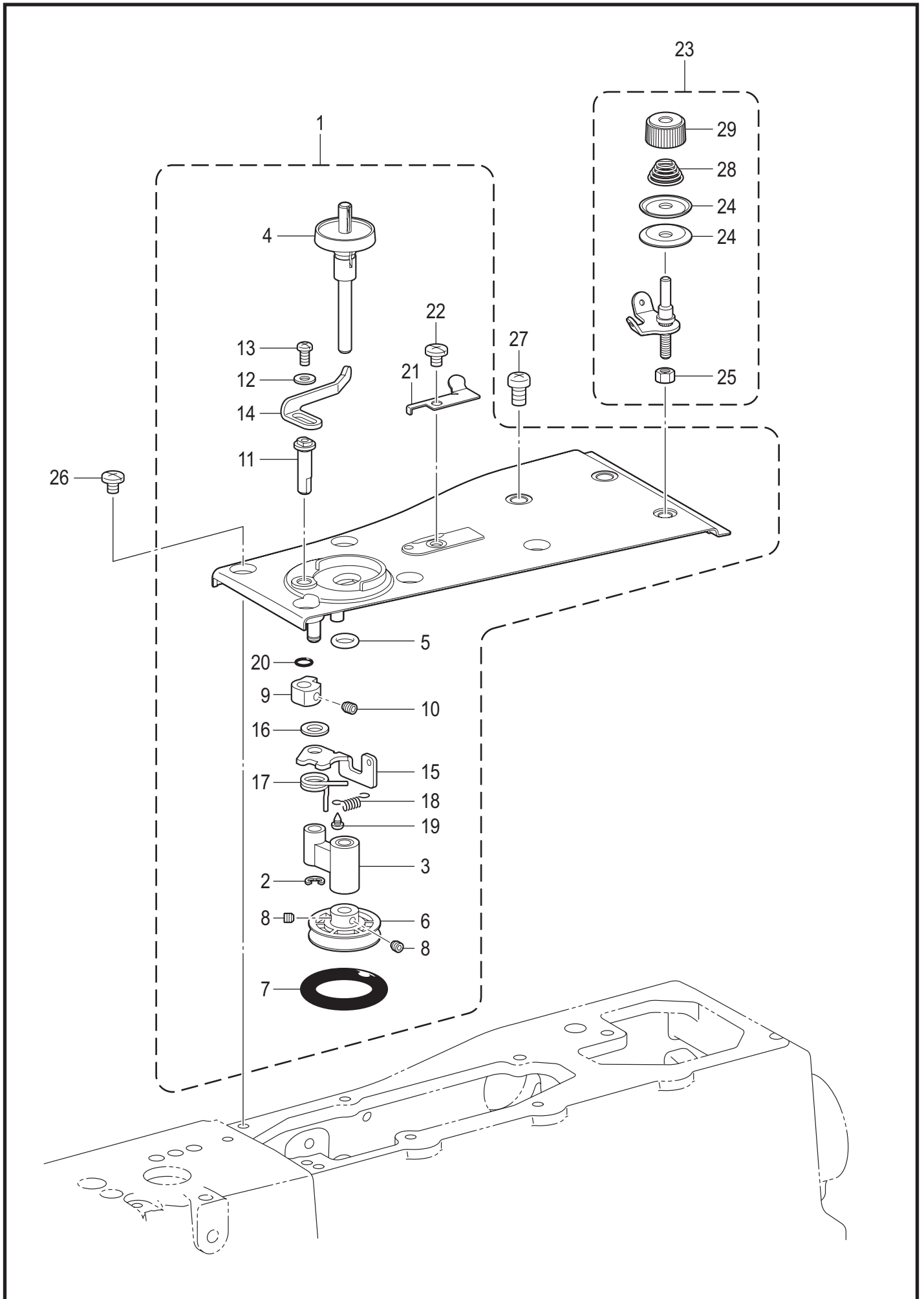
H. 糸通し関係 / Threading mechanism



H. 糸通し関係 / Threading mechanism

| REF.NO | CODE | QTY | 品名 | NAME OF PARTS | RM |
|--------|-----------|-----|--------------|------------------------------|----|
| 40 | SA7271001 | 1 | メンイタイトアンナイ | FACE PLATE THREAD GUIDE | |
| 41 | 060300606 | 1 | バインド3X6 | SCREW BIND M3X6 | |
| 42 | 0A4401606 | 4 | +ナベザクミ4X16DA | SCREW PAN (S/P WASHER) M4X16 | |

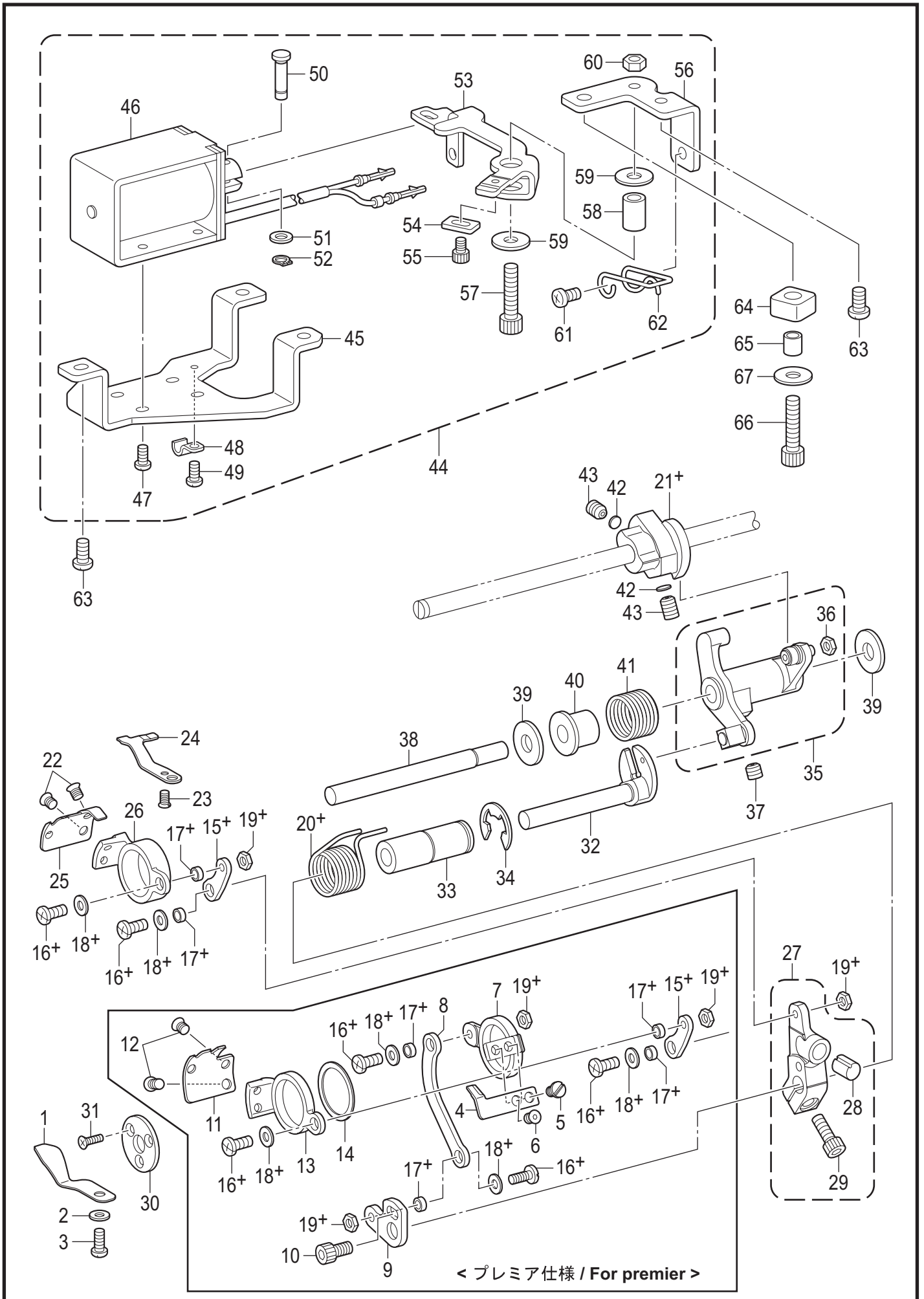
J. 糸巻関係 / Bobbin winder mechanism



J. 糸巻関係 / Bobbin winder mechanism

| REF.NO | CODE | QTY | 品名 | NAME OF PARTS | RM |
|--------|-----------|-----|------------|----------------------------|----|
| 1 | SB5652101 | 1 | ウワフタオオクミ | TOP COVER UNIT ASSY | |
| 2 | 048050342 | 1 | トメワE5 | RETAINING RING E5 | |
| 3 | SB5009001 | 1 | イトマキジクウケクミ | B-WINDER SUPPORT ASSY | |
| 4 | SB5010001 | 1 | イトマキジククミ | BOBBIN WINDER SHAFT ASSY | |
| 5 | SB3540001 | 1 | ストッパゴム | STOPPER RUBBER | |
| 6 | SB4936001 | 1 | イトマキケルマ | BOBBIN WINDER WHEEL | |
| 7 | SB4940001 | 1 | ゴムリング | RUBBER RING | |
| 8 | 012400432 | 2 | アナヒラ4X4 | SET SCREW SOCKET (FT) M4X4 | |
| 9 | SB3544001 | 1 | ボビンオサエカム | BOBBIN PRESSER CAM | |
| 10 | 012500536 | 1 | アナヒラ5X5 | SET SCREW SOCKET (FT) M5X5 | |
| 11 | SB3545101 | 1 | イトマキウデジク | BOBBIN WINDER ARM SHAFT | |
| 12 | SB3548001 | 1 | ザガネ | WASHER | |
| 13 | 062400816 | 1 | ナベコ4X8 | SCREW PAN M4X8 | |
| 14 | SB5014001 | 1 | ボビンオサエ | BOBBIN PRESSER | |
| 15 | SB3551001 | 1 | イトマキレバー | BOBBIN WINDER LEVER | |
| 16 | 025060232 | 1 | ヒラザガネチュウ6 | WASHER PLAIN M 6 | |
| 17 | SB3552001 | 1 | モドシバネ | SPRING | |
| 18 | SB3553001 | 1 | イトマキレバーバネ | BOBBIN WINDER LEVER SPRING | |
| 19 | 037300616 | 1 | Vナベタツピン3X6 | TAPPING SCREW PAN V M3X6 | |
| 20 | 081004070 | 1 | OリングP4 | O RING P4 | |
| 21 | SA1360101 | 1 | メス | KNIFE | |
| 22 | 060501016 | 1 | バインド5X10 | SCREW BIND M5X10 | |
| 23 | SB5008001 | 1 | イトマキチョウシクミ | BOBBIN WINDER TENSION ASSY | |
| 24 | 145446002 | 2 | イトチョウシサラ | DISC TENSION | |
| 25 | SB5013001 | 1 | ナット4.37 | NUT 3 SM4.37 | |
| 26 | 060501016 | 5 | バインド5X10 | SCREW BIND M5X10 | |
| 27 | 062061616 | 1 | ナベコ6X16 | SCREW PAN M6X16 | |
| 28 | SB5011001 | 1 | イトチョウシバネ | TENSION SPRING | |
| 29 | SB5012001 | 1 | イトチョウシナット | THREAD TENSION NUT | |

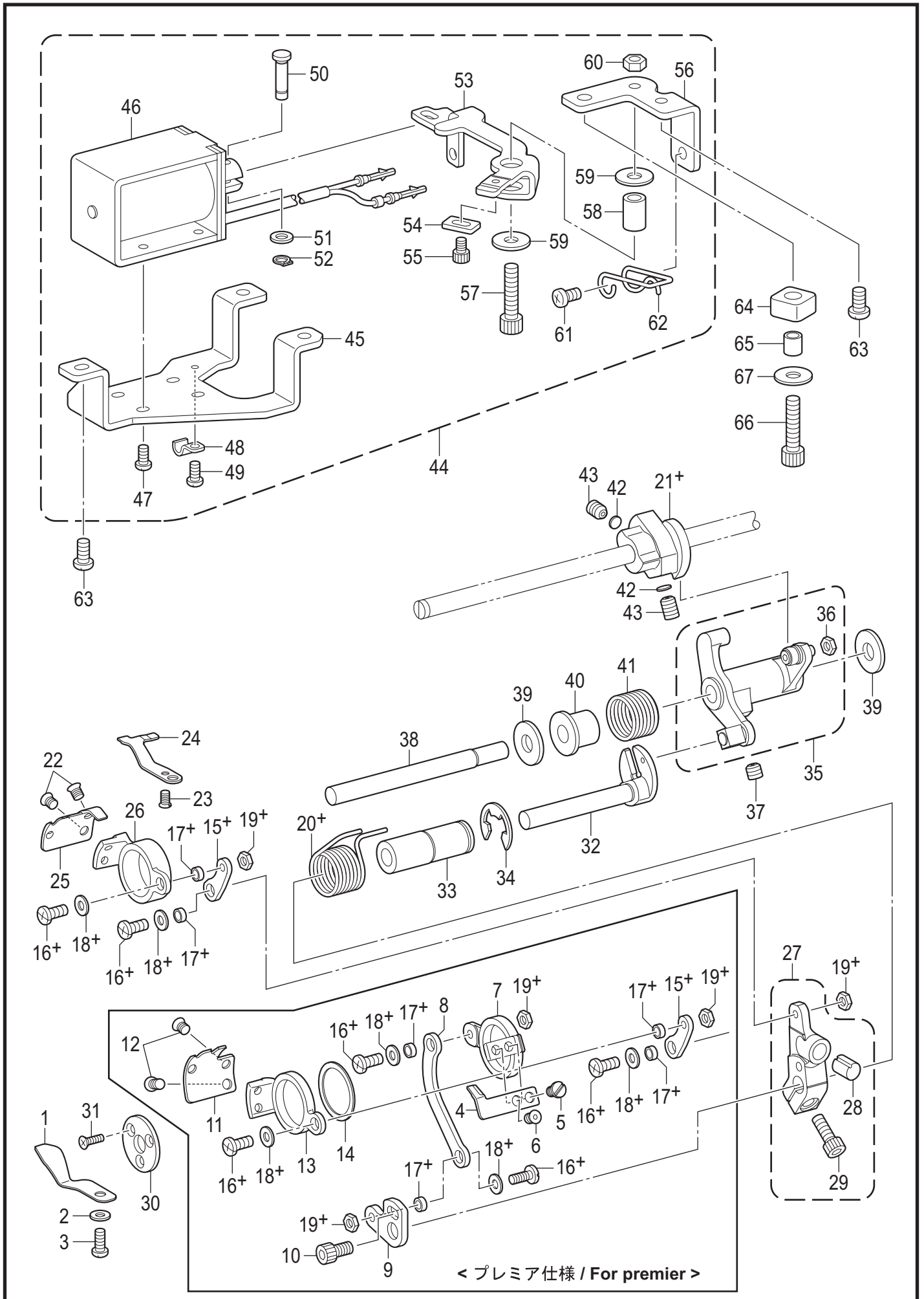
K. 糸切り関係 / Thread trimmer mechanism



K. 糸切り関係 / Thread trimmer mechanism

| REF.NO | CODE | Q'TY | 品名 | NAME OF PARTS | RM |
|--------|-----------|------|----------------|--------------------------------|----|
| 1 | SB4954101 | 1 | イトサバキ | LOWER THREAD FINGER | |
| 2 | 026040236 | 1 | ヒラザガネミガキ4 | WASHER PLAIN M 4 | |
| 3 | 062400616 | 1 | ナベコ4X6 | SCREW PAN M4X6 | |
| | | | <プレミア仕様> | <For premier> | |
| 4 | SB4941001 | 1 | ウワメス | UPPER KNIFE | |
| 5 | SB4943001 | 1 | シメネジ4.37 | FLAT SCREW 4.37 | |
| 6 | 148537101 | 1 | サラネジ4.37 | SCREW, FLAT (W/SOCKET) SM4.37 | |
| 7 | SB4950201 | 1 | ウワメスホルダ | UPPER KNIFE HOLDER | |
| 8 | SB4949101 | 1 | ウワメスレンカン | UPPER KNIFE CONNECTING ROD | |
| 9 | SB4948101 | 1 | ウワメスレバー | UPPER KNIFE LEVER | |
| 10 | 018501036 | 1 | アナボルト5X10 | BOLT SOCKET M5X10 | |
| 11 | SB4942101 | 1 | シタメス | LOWER KNIFE | |
| 12 | 148537101 | 2 | サラネジ4.37 | SCREW, FLAT (W/SOCKET) SM4.37 | |
| 13 | SB4952101 | 1 | シタメスホルダ | LOWER KNIFE HOLDER | |
| 14 | SB4969001 | 1 | スペーサ | SPACER | |
| 15+ | SB4951201 | 1 | シタメスレンカン | LOWER KNIFE CONNECTING ROD | |
| 16+ | 060401016 | 4 | バインド4X10 | SCREW BIND M4X10 | |
| 17+ | SA5329001 | 4 | カラー | COLLAR | |
| 18+ | 100645003 | 4 | ザガネ | WASHER | |
| 19+ | 021400306 | 4 | 3シュナット4 | NUT 3 M4 | |
| 20+ | SB4957001 | 1 | フタマタジクモドシバネP | THREAD TRIMMER LEVER SPRING P | |
| 21+ | SB4944001 | 1 | イトキリカムB | THREAD TRIMMER CAM B | |
| 22 | 148537101 | 2 | サラネジ4.37 | SCREW, FLAT (W/SOCKET) SM4.37 | |
| 23 | 102843004 | 1 | サラネジ3.57 | SCREW, FLAT SM3.57 | |
| 15+ | SB4946201 | 1 | イドウハレンカン | MOVABLE KNIFE CONNECTING ROD | |
| 16+ | 060401016 | 2 | バインド4X10 | SCREW BIND M4X10 | |
| 17+ | SA5329001 | 2 | カラー | COLLAR | |
| 18+ | 100645003 | 2 | ザガネ | WASHER | |
| 19+ | 021400306 | 2 | 3シュナット4 | NUT 3 M4 | |
| 20+ | SB5026001 | 1 | フタマタジクモドシバネS | THREAD TRIMMER LEVER SPRING S | |
| 21+ | SA7552201 | 1 | イトキリカム | THREAD TRIMMER CAM | |
| 24 | SB2433001 | 1 | コテイハ | FIXED KNIFE | |
| 25 | SB2434001 | 1 | イドウハ | MOVABLE KNIFE | |
| 26 | SB4947101 | 1 | イドウハホルダ | MOVABLE KNIFE HOLDER | |
| 27 | SB5631101 | 1 | イトキリレバークミ | THREAD TRIMMER LEVER ASSY | |
| 28 | SA7285101 | 1 | レバーストツパ | LEVER STOPPER | |
| 29 | 018501436 | 1 | アナボルト5X14 | BOLT SOCKET M5X14 | |
| 30 | SA7287001 | 1 | イトキリホルダオサエイタ | KNIFE HOLDER PRESSER PLATE | |
| 31 | 004301016 | 3 | +サラコ3X10 | SCREW FLAT M3X10 | |
| 32 | SB4955001 | 1 | フタマタジク | FORKED SHAFT | |
| 33 | SB4956101 | 1 | フタマタジクメタル | FORKED SHAFT BUSH | |
| 34 | SB4968001 | 1 | トメワE12 | RETAINING RING_E12 | |
| 35 | SB5301001 | 1 | イトキリカムレバーソウクミ | THREAD TRIMMER LEVER UNIT | |
| 36 | 105234003 | 1 | ナット4.37 | NUT SM4.37 | |
| 37 | S23651001 | 1 | アナヒラ6X6ホソメ | SET SCREW SOCKET (FT) M6X6 | |
| 38 | SB4960001 | 1 | カムレバーク | THREAD TRIMMER CAM LEVER SHAFT | |
| 39 | S25434000 | 2 | クツシヨンゴム | RUBBER CUSHION | |
| 40 | SB4962001 | 1 | カラー | COLLAR | |
| 41 | SB4961001 | 1 | カムレバーモドシバネ | SPRING EXTENSION | |
| 42 | 154567000 | 2 | カンザ5.3 | SPACER 5.3 | |
| 43 | 014771032 | 2 | アナクボミ635-40X10 | SET SCREW SOCKET SM6.35-40X10 | |
| 44 | SB5310101 | 1 | イトキリソレノイドクミ | THREAD TRIMMER SOLENOID ASSY | |
| 45 | SB4964001 | 1 | イトキリソレノイドダイ | THREAD TRIMMER SOLENOID BASE | |
| 46 | SB5257001 | 1 | イトキリソレノイド | THREAD TRIMMER SOLENOID | |
| 47 | 062400816 | 4 | ナベコ4X8 | SCREW PAN M4X8 | |
| 48 | 140647121 | 1 | コードオサエ | CORD HOLDER | |
| 49 | 062400816 | 1 | ナベコ4X8 | SCREW PAN M4X8 | |
| 50 | SA9716001 | 1 | レンケツピン | PIN | |

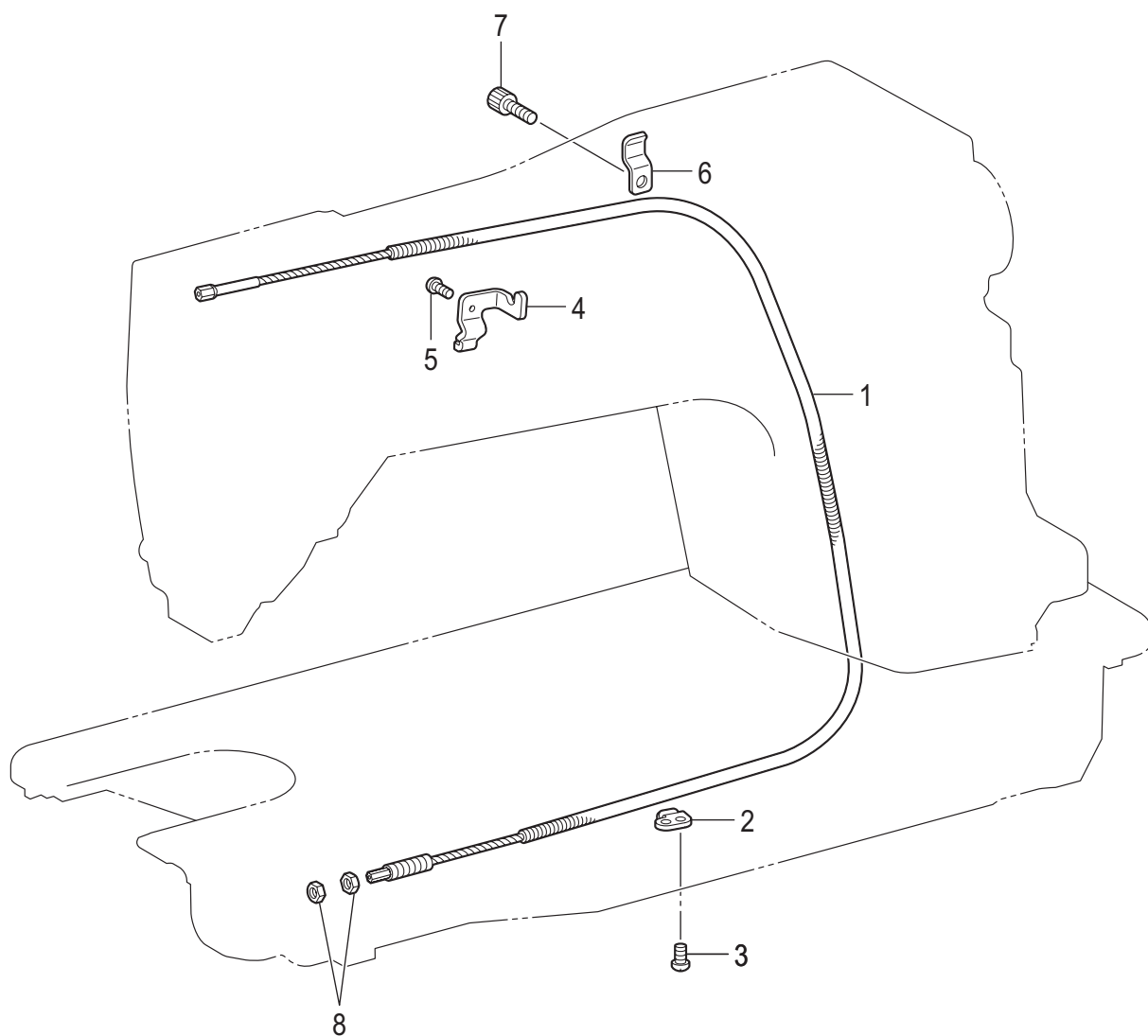
K. 糸切り関係 / Thread trimmer mechanism



K. 糸切り関係 / Thread trimmer mechanism

| REF.NO | CODE | Q'TY | 品名 | NAME OF PARTS | RM |
|--------|-----------|------|-------------|----------------------------|----|
| 51 | 026050136 | 1 | ヒラザガネコガタ5 | WASHER PLAIN S 5 | |
| 52 | 048050142 | 1 | トメワジクヨウC5 | RETAINING RING EXTERNAL C5 | |
| 53 | SB4963001 | 1 | ソレノイドレバー | SOLENOID LEVER | |
| 54 | SB4965001 | 1 | ソレノイドストッパイタ | SOLENOID STOPPER PLATE | |
| 55 | 018400636 | 1 | アナボルト4X6 | BOLT SOCKET M4X6 | |
| 56 | SB4967101 | 1 | ソレノイドレバーダイ | SOLENOID LEVER BASE | |
| 57 | 018062536 | 1 | アナボルト6X25 | BOLT SOCKET M6X25 | |
| 58 | SB5650001 | 1 | カラー | COLLAR | |
| 59 | SA9827001 | 2 | ザガネ | WASHER PLAIN | |
| 60 | 021060306 | 1 | 3シュナット6 | NUT 3 M6 | |
| 61 | 062501216 | 1 | ナベコ5X12 | SCREW PAN M5X12 | |
| 62 | SB5673001 | 1 | チューブホルダワイヤD | TUBE HOLDER WIRE D | |
| 63 | 062501016 | 4 | ナベコ5X10 | SCREW PAN M5X10 | |
| 64 | SB4966001 | 1 | ソレノイドストッパゴム | SOLENOID STOPPER RUBBER | |
| 65 | SB4953001 | 1 | カラー | COLLAR | |
| 66 | 018062036 | 1 | アナボルト6X20 | BOLT SOCKET M6X20 | |
| 67 | 025060332 | 1 | ヒラザガネダイ6 | WASHER PLAIN L 6 | |

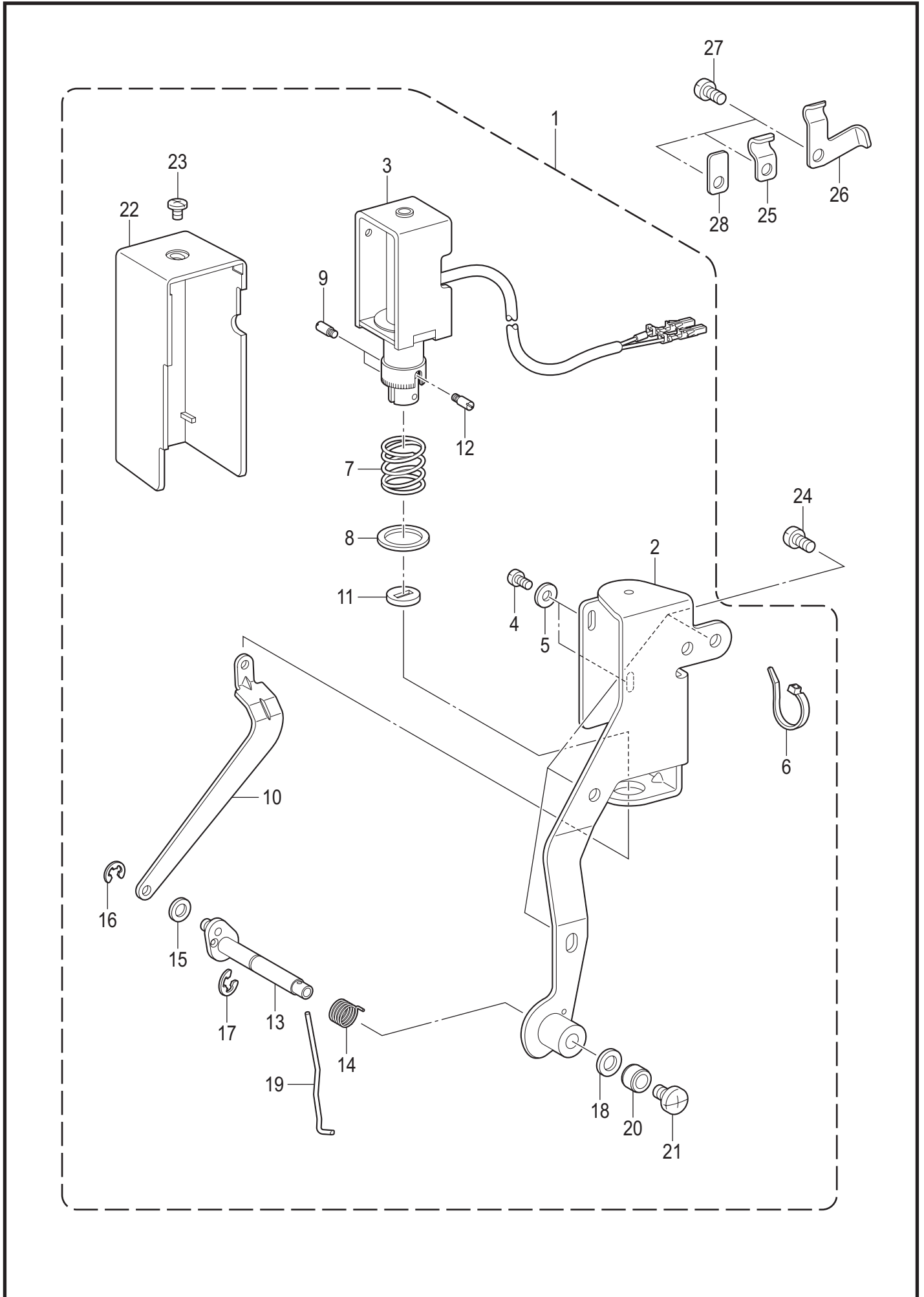
L. 糸緩め関係 / Tension release mechanism



L. 糸緩め関係 / Tension release mechanism

| REF.NO | CODE | QTY | 品名 | NAME OF PARTS | RM |
|--------|-----------|-----|-----------|----------------------|----|
| 1 | SB4970001 | 1 | イトユルメワイヤー | TENSION RELEASE WIRE | |
| 2 | SB4971001 | 1 | ワイヤホルダD | WIRE HOLDER D | |
| 3 | 062400816 | 1 | ナベコ4X8 | SCREW PAN M4X8 | |
| 4 | SB4972001 | 1 | ワイヤホルダU | WIRE HOLDER U | |
| 5 | 062401216 | 1 | ナベコ4X12 | SCREW PAN M4X12 | |
| 6 | SA1388101 | 1 | コードオサエ | CORD HOLDER | |
| 7 | 018500836 | 1 | アナボルト5X8 | BOLT SOCKET M5X8 | |
| 8 | 110161004 | 2 | ナツト4.76 | NUT SM4.76 | |

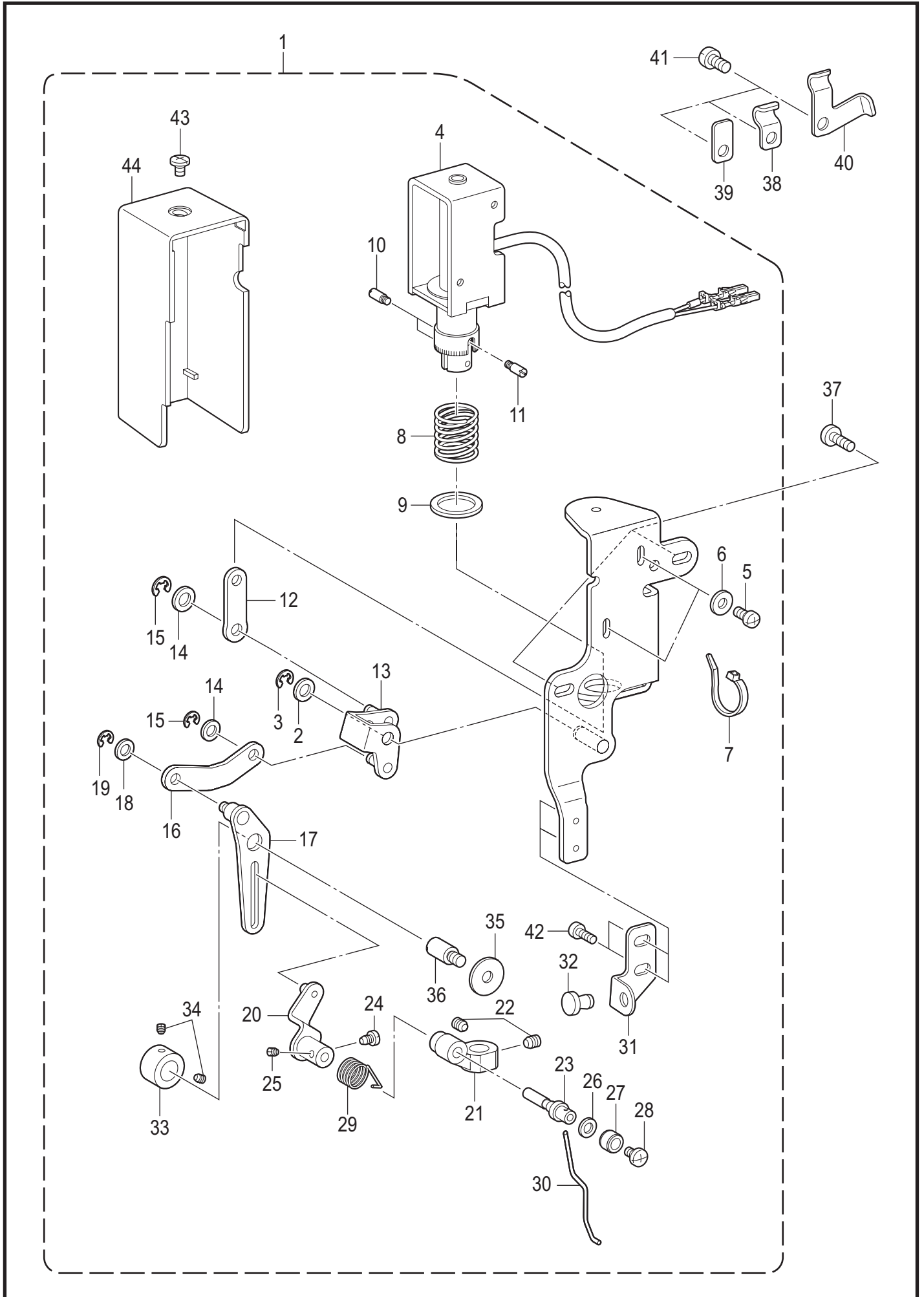
M1. 糸払い関係 (-4□□用) / Thread wiper mechanism (For -4□□)



M1. 糸払い関係 (-4□□用) / Thread wiper mechanism (For -4□□)

| REF.NO | CODE | Q'TY | 品名 | NAME OF PARTS | RM |
|--------|-----------|------|-------------|--------------------------|----|
| 1 | SB4846101 | 1 | イトハライソウチクミ | THREAD WIPER DEVICE ASSY | |
| 2 | SB5237101 | 1 | イトハライドダイ | THREAD WIPER BASE | |
| 3 | SB5258001 | 1 | イトハライソレノイド | THREAD WIPER SOLENOID | |
| 4 | 062300616 | 2 | ナベコ3X6 | SCREW PAN M3X6 | |
| 5 | 026030136 | 2 | ヒラザガネコガタ3 | WASHER PLAIN S 3 | |
| 6 | SB4155001 | 1 | バンド | BAND | |
| 7 | SA9771001 | 1 | イトハライバネ | THREAD WIPER SPRING | |
| 8 | S41205001 | 1 | ヒラザガネ | WASHER, PLAIN | |
| 9 | S25456001 | 2 | プランジャピン | PLUNGER PIN | |
| 10 | SB5238001 | 1 | イトハライロッド | THREAD WIPER ROD | |
| 11 | S41207000 | 1 | スペーサゴム | SPACER RUBBER | |
| 12 | S25456001 | 1 | プランジャピン | PLUNGER PIN | |
| 13 | SB5239001 | 1 | イトハライクランククミ | THREAD WIPER CRANK ASSY | |
| 14 | SA9352001 | 1 | ワイパーバネ | WIPER SPRING | |
| 15 | 110735022 | 1 | ザガネ | WASHER | |
| 16 | 048030342 | 1 | トメワE3 | RETAINING RING E3 | |
| 17 | 048040342 | 1 | トメワE4 | RETAINING RING E4 | |
| 18 | SA8085001 | 1 | ザガネ | WASHER | |
| 19 | SA9779001 | 1 | イトハライ | THREAD WIPER | |
| 20 | 146288021 | 1 | イトハライジクカラ- | THREAD WIPER STUD COLLAR | |
| 21 | 060400516 | 1 | バインド4X5 | SCREW BIND M4X5 | |
| 22 | SB5242001 | 1 | ソレノイドカバー | SOLENOID COVER | |
| 23 | 060400516 | 1 | バインド4X5 | SCREW BIND M4X5 | |
| 24 | 062500816 | 3 | ナベコ5X8 | SCREW PAN M5X8 | |
| 25 | SA2689101 | 1 | コードオサエ | CORD HOLDER | |
| 26 | SB5306001 | 1 | コードオサエU | CORD HOLDER U | |
| 27 | 062500816 | 3 | ナベコ5X8 | SCREW PAN M5X8 | |
| 28 | SB5028001 | 1 | コードオサエ | CORD HOLDER | |

M2. 糸払い関係 (-5用) / Thread wiper mechanism (For -5)

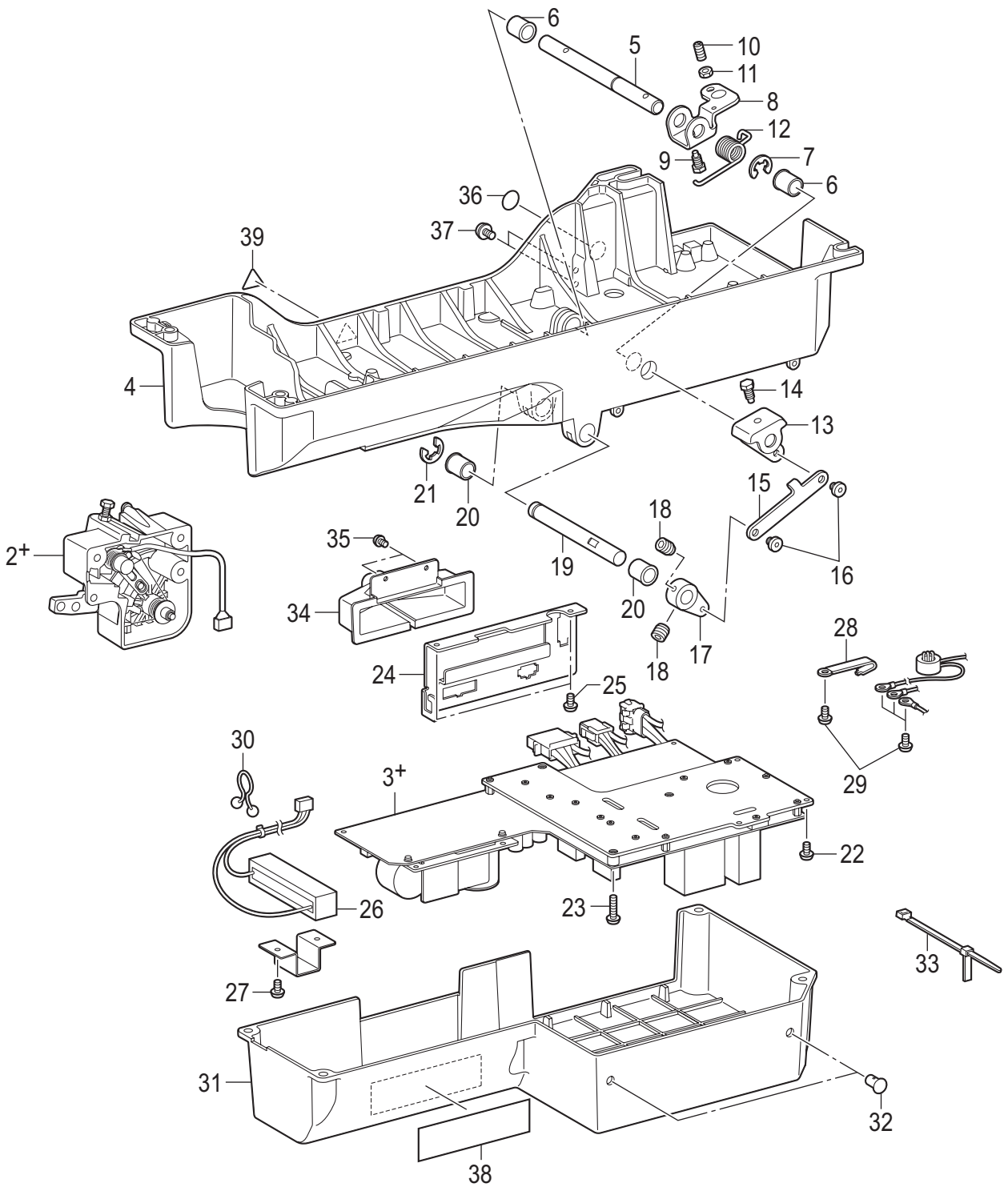
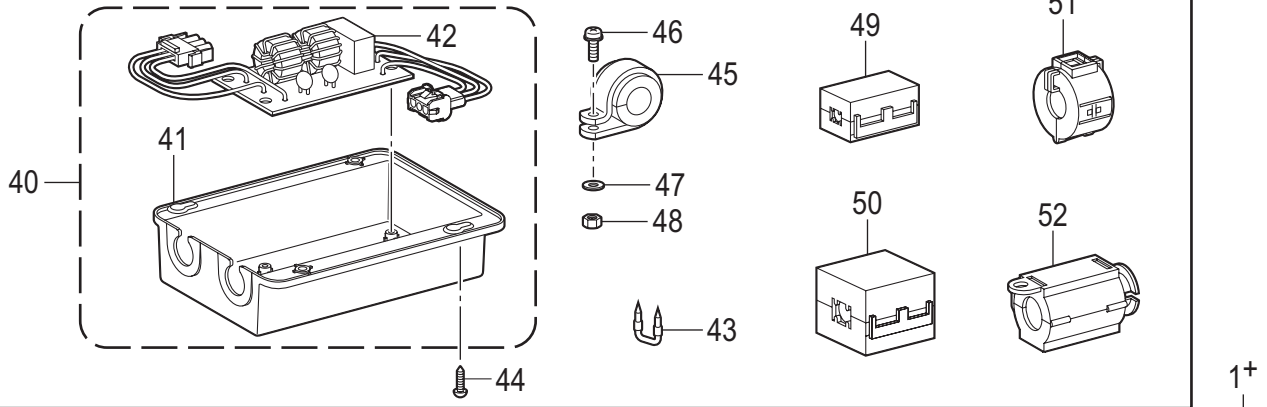


M2. 糸払い関係 (-5□□用) / Thread wiper mechanism (For -5□□)

| REF.NO | CODE | Q'TY | 品名 | NAME OF PARTS | RM |
|--------|-----------|------|---------------|------------------------------|----|
| 1 | SB6618101 | 1 | Rイトハライセット | R THREAD WIPER SET | |
| 2 | 025060132 | 1 | ヒラザガネシヨウ6 | WASHER PLAIN S 6 | |
| 3 | 048040342 | 1 | トメワE4 | RETAINING RING E4 | |
| 4 | SB6513101 | 1 | イトハライソレノイド | THREAD WIPER SOLENOID | |
| 5 | 062300616 | 2 | ナベコ3X6 | SCREW PAN M3X6 | |
| 6 | 026030136 | 2 | ヒラザガネコガタ3 | WASHER PLAIN S 3 | |
| 7 | SB4155001 | 1 | バンド | BAND | |
| 8 | SB6504001 | 1 | イトハライバネ | THREAD WIPER SPRING | |
| 9 | S41205001 | 1 | ヒラザガネ | WASHER, PLAIN | |
| 10 | S25456001 | 2 | プランジャピン | PLUNGER PIN | |
| 11 | S25456001 | 1 | プランジャピン | PLUNGER PIN | |
| 12 | SB3858001 | 1 | イトハライリンク | THREAD WIPER LINK | |
| 13 | SB6318001 | 1 | イトハライレバーAクミ | THREAD WIPER LEVER A ASSY | |
| 14 | 110735022 | 2 | ザガネ | WASHER | |
| 15 | 048030342 | 2 | トメワE3 | RETAINING RING E3 | |
| 16 | SB6510001 | 1 | イトハライリンクL | THREAD WIPER LINK L | |
| 17 | SB6325001 | 1 | イトハライレバーBクミ | THREAD WIPER LEVER B ASSY | |
| 18 | 110735022 | 1 | ザガネ | WASHER | |
| 19 | 048030342 | 1 | トメワE3 | RETAINING RING E3 | |
| 20 | SB6516001 | 1 | イトハライクランククミ | THREAD WIPER CRANK ASSY | |
| 21 | SB6329001 | 1 | イトハライジクウケ | THREAD WIPER SUPPORT | |
| 22 | 014680632 | 2 | アナクボミ437-40X6 | SET SCREW SOCKET SM4.37-40X6 | |
| 23 | SB6330201 | 1 | イトハライジク | THREAD WIPER SHAFT | |
| 24 | SB6512001 | 1 | イトハライトメネジ | THREAD WIPER SET SCREW | |
| 25 | 014300432 | 1 | アナクボミ3X4 | SET SCREW SOCKET (CP) M3X4 | |
| 26 | SA8085001 | 1 | ザガネ | WASHER | |
| 27 | 146288021 | 1 | イトハライジクカラー | THREAD WIPER STUD COLLAR | |
| 28 | 060400516 | 1 | バインド4X5 | SCREW BIND M4X5 | |
| 29 | SB6511001 | 1 | イトハライバネ | WIPER SPRING | |
| 30 | SB6514101 | 1 | イトハライ | THREAD WIPER | |
| 31 | SB6884001 | 1 | レバーストツパ | LEVER STOPPER | |
| 32 | SB6886001 | 1 | レバーストツパゴム | LEVER STOPPER RUBBER | |
| 33 | SB6324001 | 1 | セットカラー | SET SCREW COLLAR | |
| 34 | 014680632 | 2 | アナクボミ437-40X6 | SET SCREW SOCKET SM4.37-40X6 | |
| 35 | SB6323001 | 1 | ザガネ | WASHER | |
| 36 | SB6328001 | 1 | イトハライレバージク | THREAD WIPER LEVER SHAFT | |
| 37 | 060501016 | 2 | バインド5X10 | SCREW BIND M5X10 | |
| 38 | SA2689101 | 1 | コードオサエ | CORD HOLDER | |
| 39 | SB5028001 | 1 | コードオサエ | CORD HOLDER | |
| 40 | SB5306001 | 1 | コードオサエU | CORD HOLDER U | |
| 41 | 062500816 | 3 | ナベコ5X8 | SCREW PAN M5X8 | |
| 42 | 060400816 | 2 | バインド4X8 | SCREW BIND M4X8 | |
| 43 | 060400516 | 1 | バインド4X5 | SCREW BIND M4X5 | |
| 44 | SB5242001 | 1 | ソレノイドカバー | SOLENOID COVER | |

N1. コントロールボックス関係 / Control box

< 欧州向用 / For Europe >

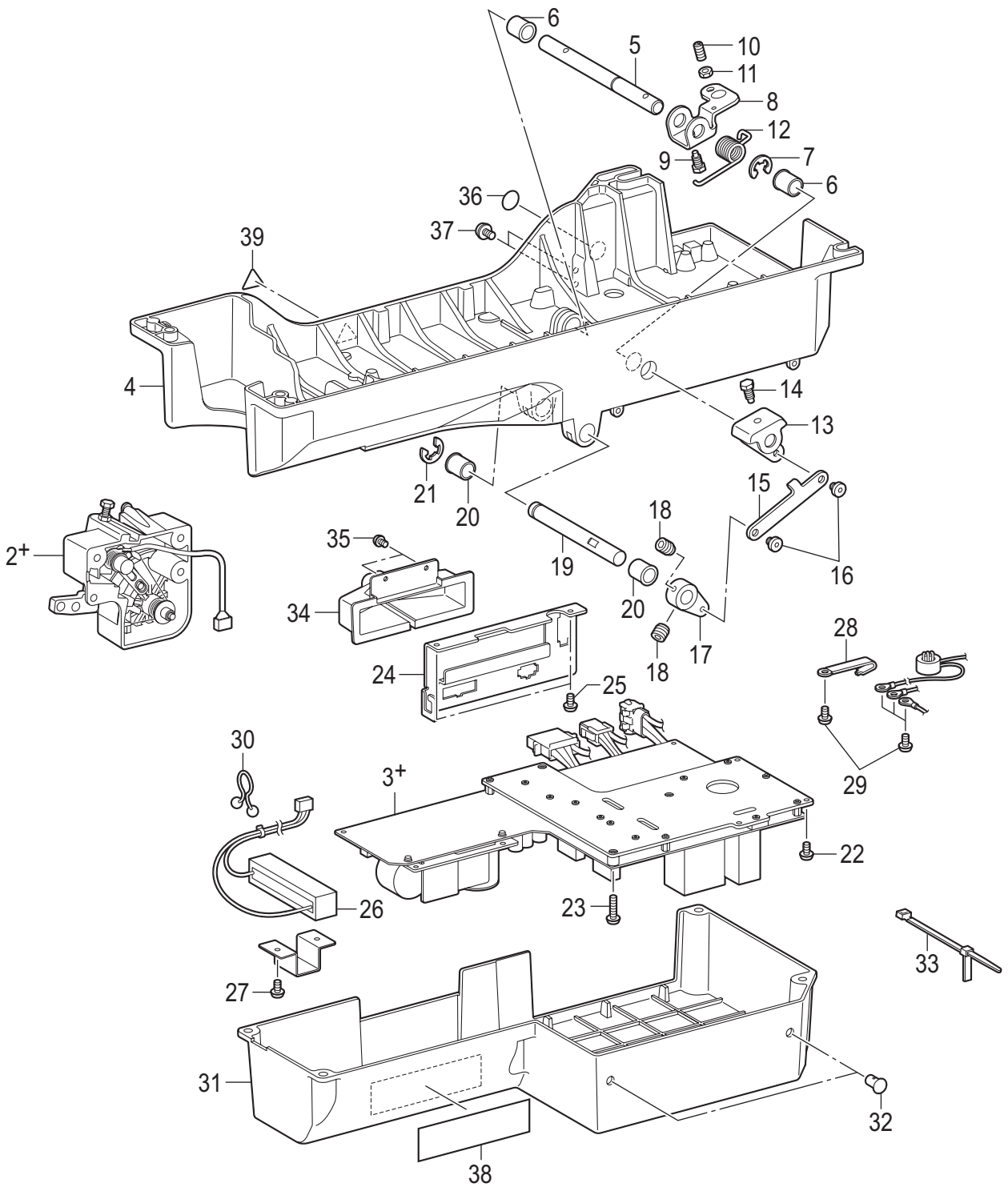
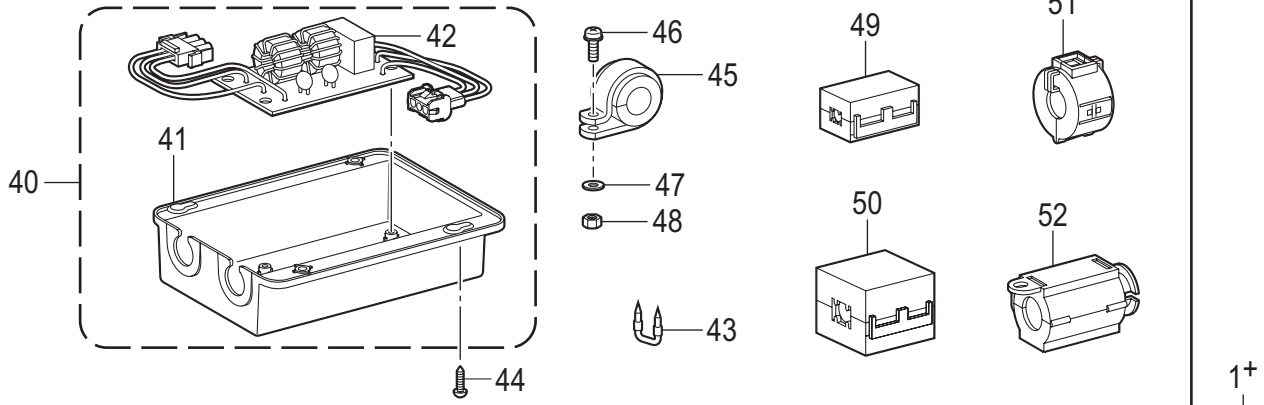


N1. コントロールボックス関係 / Control box

| REF.NO | CODE | Q'TY | 品名 | NAME OF PARTS | RM |
|--------|-----------|------|------------------|--------------------------------|----|
| | | | <日本、輸出一般向用> | <For Japan and General export> | |
| 1+ | SB6454001 | 1 | BOXクミ J/A ホキユウ | 7300A BOX ASSY J/A SUPPLY | |
| 2+ | SB3817401 | 1 | フミコユニット-EX | TREADLE UNIT-EX | |
| 3+ | SB6457001 | 1 | メインキバンクミホキユウ | MAIN PCB ASSY SUPPLY | |
| | | | <中国向用> | <For China> | |
| 1+ | SB6453001 | 1 | BOXクミ CN ホキユウ | 7300A BOX ASSY CN SUPPLY | |
| 2+ | SB3816101 | 1 | フミコユニット-CN | TREADLE UNIT-CN | |
| 3+ | SB6457001 | 1 | メインキバンクミホキユウ | MAIN PCB ASSY SUPPLY | |
| | | | <米州向用> | <For the Americas> | |
| 1+ | SB6455001 | 1 | BOXクミ US ホキユウ | 7300A BOX ASSY US SUPPLY | |
| 2+ | SB4587301 | 1 | フミコユニット-US | TREADLE UNIT-US | |
| 3+ | SB6457001 | 1 | メインキバンクミホキユウ | MAIN PCB ASSY SUPPLY | |
| | | | <欧州向用> | <For Europe> | |
| 1+ | SB6456001 | 1 | BOXクミ CE ホキユウ | 7300A BOX ASSY CE SUPPLY | |
| 2+ | SB4587301 | 1 | フミコユニット-US | TREADLE UNIT-US | |
| 3+ | SB6458001 | 1 | メインキバンクミ CE ホキユウ | MAIN PCB ASSY CE SUPPLY | |
| 4 | SB4973101 | 1 | ボトムカバー | BOTTOM COVER | |
| 5 | SB4976001 | 1 | ヒザアゲヨコジクR | KNEE LIFTER SHAFT R | |
| 6 | 149578020 | 2 | ヨコジクブツシュ | BUSH | |
| 7 | 146293001 | 1 | トメワE10 | RETAINING RING E10 | |
| 8 | SB4978001 | 1 | ヒザアゲR | KNEE LIFTER R | |
| 9 | SB5034001 | 1 | ボルト5.95X13 | BOLT SM5.95X13 | |
| 10 | SB3587001 | 1 | トメネジ5.95 | SET SCREW SM5.95 | |
| 11 | 100022004 | 1 | ナツト5.95 | NUT SM5.95 | |
| 12 | SB4979001 | 1 | ヒザアゲバネ | TWIST SPRING | |
| 13 | SB4980001 | 1 | ヒザアゲF | KNEE LIFTER F | |
| 14 | SB3586001 | 1 | ボルト5.95 | BOLT SM5.95 | |
| 15 | SB4981101 | 1 | ヒザアゲレンケツカン | KNEE LIFTER CONNECTING ROD | |
| 16 | SA1179001 | 2 | ダンネジ5 | SHOULDER SCREW M5 | |
| 17 | SB4982101 | 1 | ヒザアゲレバーD | KNEE LIFTER LEVER D | |
| 18 | 012060636 | 2 | アナヒラ6X6 | SET SCREW SOCKET (FT) M6X6 | |
| 19 | SB4977101 | 1 | ヒザアゲヨコジクL | KNEE LIFTER SHAFT L | |
| 20 | 149578020 | 2 | ヨコジクブツシュ | BUSH | |
| 21 | 146293001 | 1 | トメワE10 | RETAINING RING E10 | |
| 22 | 0A4401006 | 7 | +ナベザクミ4X10DA | SCREW PAN (S/P WASHER) M4X10 | |
| 23 | 0A4402006 | 3 | +ナベザクミ4X20DA | SCREW PAN (S/P WASHER) M4X20 | |
| 24 | SB4975001 | 1 | コネクタトリツケイタ | CONNECTOR SETTING PLATE | |
| 25 | 0A4401006 | 2 | +ナベザクミ4X10DA | SCREW PAN (S/P WASHER) M4X10 | |
| 26 | SB3665001 | 1 | セメントR40/220 | CEMENT RESISTOR ASSY 40/220 | |
| 27 | 0A4401006 | 2 | +ナベザクミ4X10DA | SCREW PAN (S/P WASHER) M4X10 | |
| 28 | SB3837001 | 1 | ワイヤークリップ | WIRE CLIP | |
| 29 | 0A4401006 | 4 | +ナベザクミ4X10DA | SCREW PAN (S/P WASHER) M4X10 | |
| 30 | J04164001 | 1 | オメガロックOLS-80 | CLAMP OLS-80 | |
| 31 | SB6594001 | 1 | BOXカバー | BOX COVER | |
| 32 | SB3872001 | 2 | BOXカバーピン | BOX COVER PIN | |
| 33 | SB4155001 | 4 | バンド | BAND | |
| 34 | SB5035201 | 1 | コネクタキャップ | CONNECTOR CAP | |
| 35 | 0A4401006 | 2 | +ナベザクミ4X10DA | SCREW PAN (S/P WASHER) M4X10 | |
| 36 | S37060001 | 1 | ア-スマーク | LABEL, GROUNDING | |
| 37 | 0A4401006 | 2 | +ナベザクミ4X10DA | SCREW PAN (S/P WASHER) M4X10 | |
| 38 | SA9725001 | 1 | ラベルカンデン6カコク | LABEL ELECTRICAL SHOCK 36X150 | |
| 39 | SA9957002 | 1 | ワ-ニングマ-ク | INJURY MARK | |
| | | | <欧州向用> | <For Europe> | |
| 40 | SB6402001 | 1 | CEフィルタ フクロクミ | CE FILTER BAG ASSY | |
| 41 | SA9564001 | 1 | CEフィルターケース | CE FILTER CASE | |
| 42 | SB6391001 | 1 | CEフィルタキバンクミ | CE FILTER PCB ASSY | |
| 43 | 200190001 | 5 | ステツプル 10X20 | STAPLE 10X20 | |
| 44 | 032461606 | 4 | +2マルモク45X16 | WOOD SCREW ROUND 2 M4.5X16 | |
| 45 | S52164000 | 2 | コアNFC-28 | CORE:NFC-28 | |
| 46 | 0A5401006 | 2 | +2ナベザクミ4X10DB | SCREW PAN (S/P WASHER) M4X10 | |

N1. コントロールボックス関係 / Control box

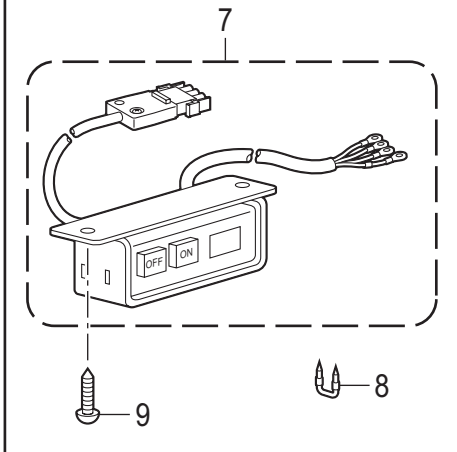
< 欧州向用 / For Europe >



N1. コントロールボックス関係 / Control box

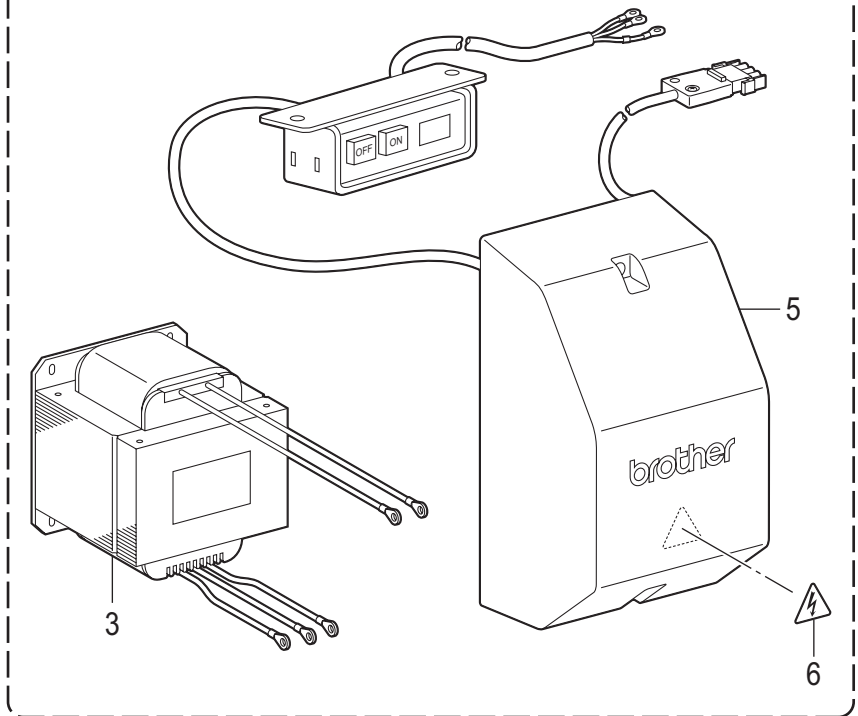
| REF.NO | CODE | QTY | 品名 | NAME OF PARTS | RM |
|--------|-----------|-----|----------------|-------------------|----|
| 47 | SB3848001 | 2 | ヒラザガネチュウ4 | WASHER_PLAIN_M_4 | |
| 48 | 021400106 | 2 | 1シュナット4 | NUT 1 M4 | |
| 49 | S52162000 | 1 | コアNF-65 | CORE, NF-65 | |
| 50 | S52163000 | 4 | コアNF-130 | CORE, NF-130 | |
| 51 | SB4803001 | 2 | コアK3NFR-10BK2 | CORE:K3NFR-10BK2 | |
| 52 | J02729001 | 1 | EMCコア E2130MRC | EMC CORE E2130MRC | |

< 米州向用 / For the Americas >



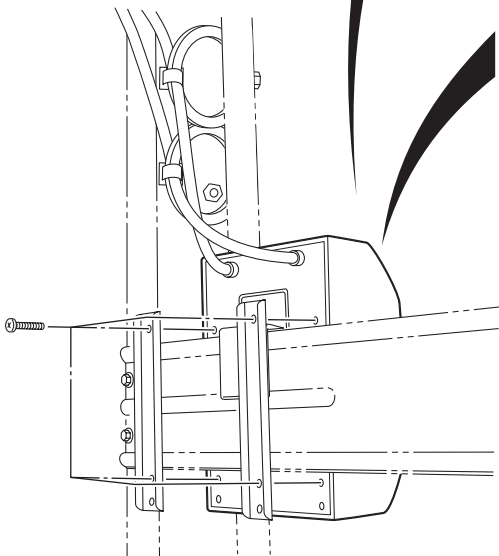
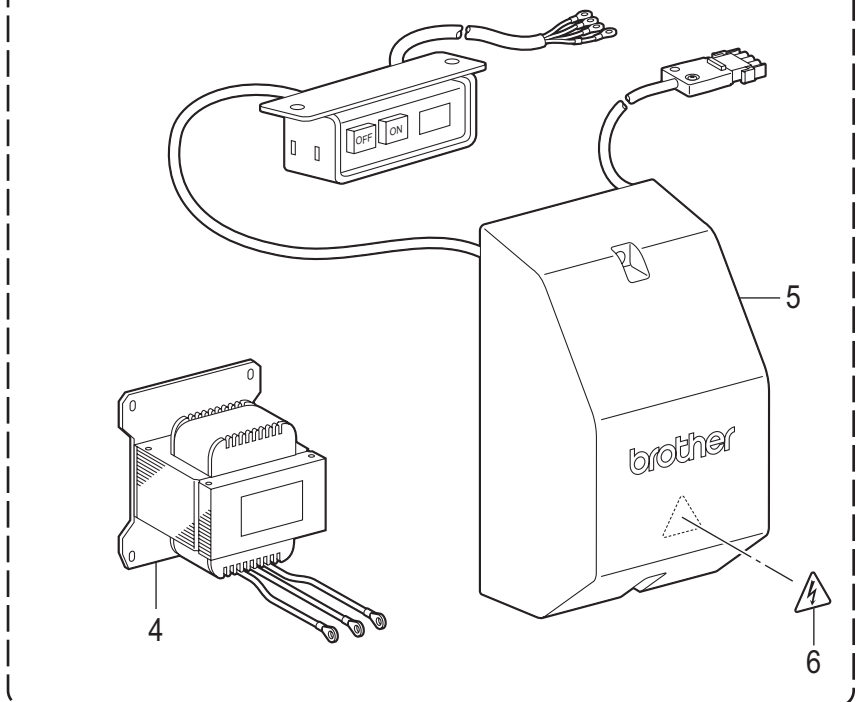
1+

< 単相 100V / 110V 用
For Single phase 100V / 110V >



2+

< 三相 380V / 400V 用
For Three phase 380V / 400V >

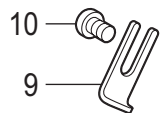


N2. コントロールボックス関係 / Control box

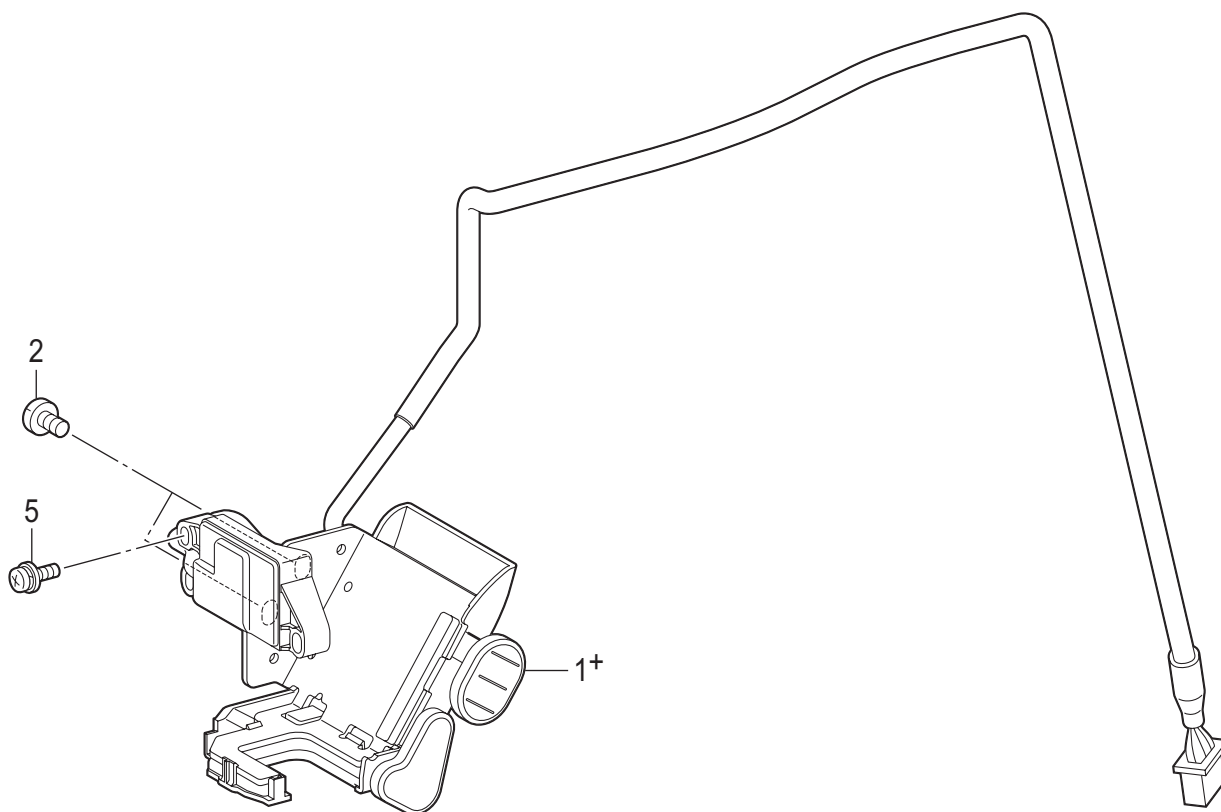
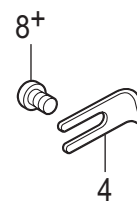
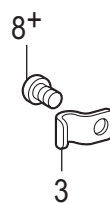
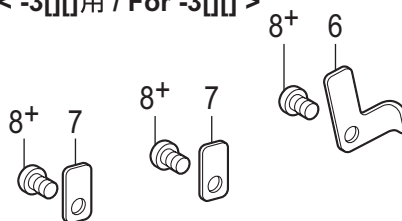
| REF.NO | CODE | Q'TY | 品名 | NAME OF PARTS | RM |
|--------|----------------------|------|----------------------------------|--|----|
| 1+ | BMP3010-0000000-AST1 | 1 | <100V用> トランスボックス | <For 100V> TRANSFORMER BOX | |
| 1+ | BMP3010-0000000-2ST1 | 1 | <110V用> トランスボックス | <For 110V> TRANSFORMER BOX | |
| 2+ | BMP3010-0000000-3ST4 | 1 | <380V用> トランスボックス | <For 380V> TRANSFORMER BOX | |
| 2+ | BMP3010-0000000-4ST4 | 1 | <400V用> トランスボックス | <For 400V> TRANSFORMER BOX | |
| 3 | SA9923101 | 1 | <単相 100V/110V用> トランス 100/220V | <For single phase 100V/110V> TRANSFORMER 100/110/220V | |
| 4 | SA9901101 | 1 | <三相 380V/400V用> トランス 400/230V | <For three phase 380V/400V> TRANSFORMER 400/230V | |
| 5 | SA9896001 | 1 | トランスBOXカバー | TR BOX COVER | |
| 6 | SA9914001 | 1 | ラベルカンデン25X28 | LABEL ELECTRICAL SHOCK 25X28 | |
| 7 | SB4531001 | 1 | <米州向用> SWBOX フクロクミ | <For the Americas> SWBOX BAG ASSY | |
| 8 | 200190001 | 5 | ステツプル 10X20 | STAPLE 10X20 | |
| 9 | 032461606 | 2 | +2マルモク45X16 | WOOD SCREW ROUND 2 M4.5X16 | |

P. 逆転スイッチ関係 / Quick reverse switch mechanism

<-3□□ プレミア仕様 /
For -3□□ premier >



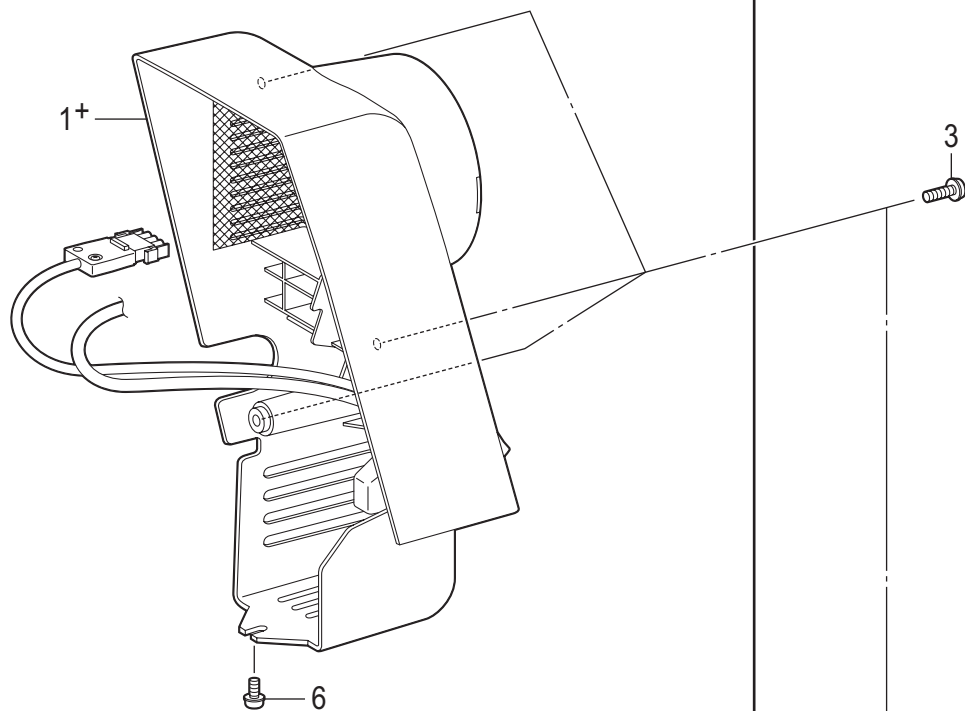
<-3□□用 / For -3□□ >



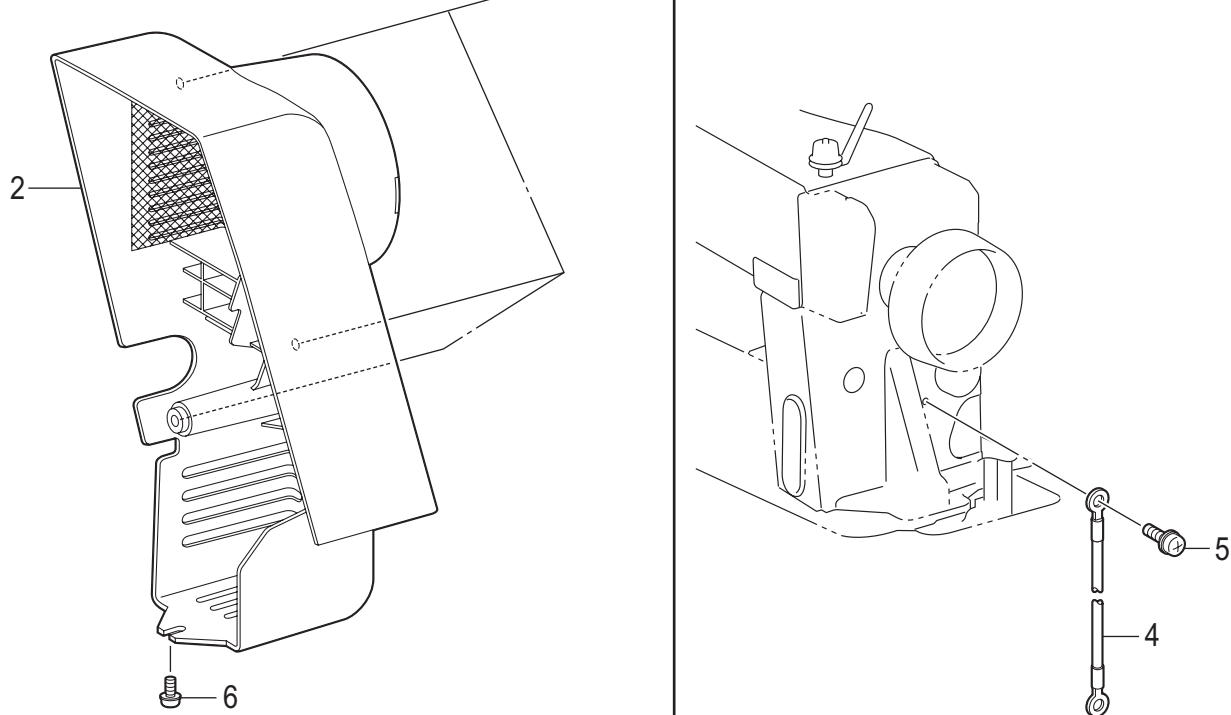
P. 逆転スイッチ関係 / Quick reverse switch mechanism

| REF.NO | CODE | Q'TY | 品名 | NAME OF PARTS | RM |
|--------|-----------|------|------------------------------|--|----|
| 1+ | SB6237101 | 1 | <プレミア仕様中国向用以外> スイッチクミP EX | <For premier except China> SWITCH ASSY P EX | |
| 1+ | SB6238001 | 1 | <中国向用以外> スイッチクミス EX | <Except China> SWITCH ASSY S EX | |
| 1+ | SB5663401 | 1 | <プレミア仕様中国向用> スイッチクミP | <For premier China> SWITCH ASSY P | |
| 1+ | SB5664301 | 1 | <中国向用> スイッチクミス | <For China> SWITCH ASSY S | |
| 2 | 060501016 | 2 | バインド5X10 | SCREW BIND M5X10 | |
| 3 | SA2689101 | 1 | コードオサエ | CORD HOLDER | |
| 4 | SB5025001 | 1 | コードホルダD | CORD HOLDER D | |
| 5 | 0A4401606 | 3 | <プレミア仕様> +ナベザクミ4X16DA | <For premier> SCREW PAN (S/P WASHER) M4X16 | |
| 6 | SB5024001 | 1 | <-3□□用> コードオサエU | <For -3□□> CORD HOLDER U | |
| 7 | SB5028001 | 2 | コードオサエ | CORD HOLDER | |
| 8+ | 062500816 | 5 | ナベコ5X8 | SCREW PAN M5X8 | |
| 8+ | 062500816 | 2 | <-3□□用以外> ナベコ5X8 | <Except -3□□> SCREW PAN M5X8 | |
| 9 | SB5025001 | 1 | <-3□□プレミア仕様> コードホルダD | <For -3□□ premier> CORD HOLDER D | |
| 10 | 062500816 | 1 | ナベコ5X8 | SCREW PAN M5X8 | |

< 日本、輸出一般向用 / For Japan and General export >
< 中国向用 / For China >



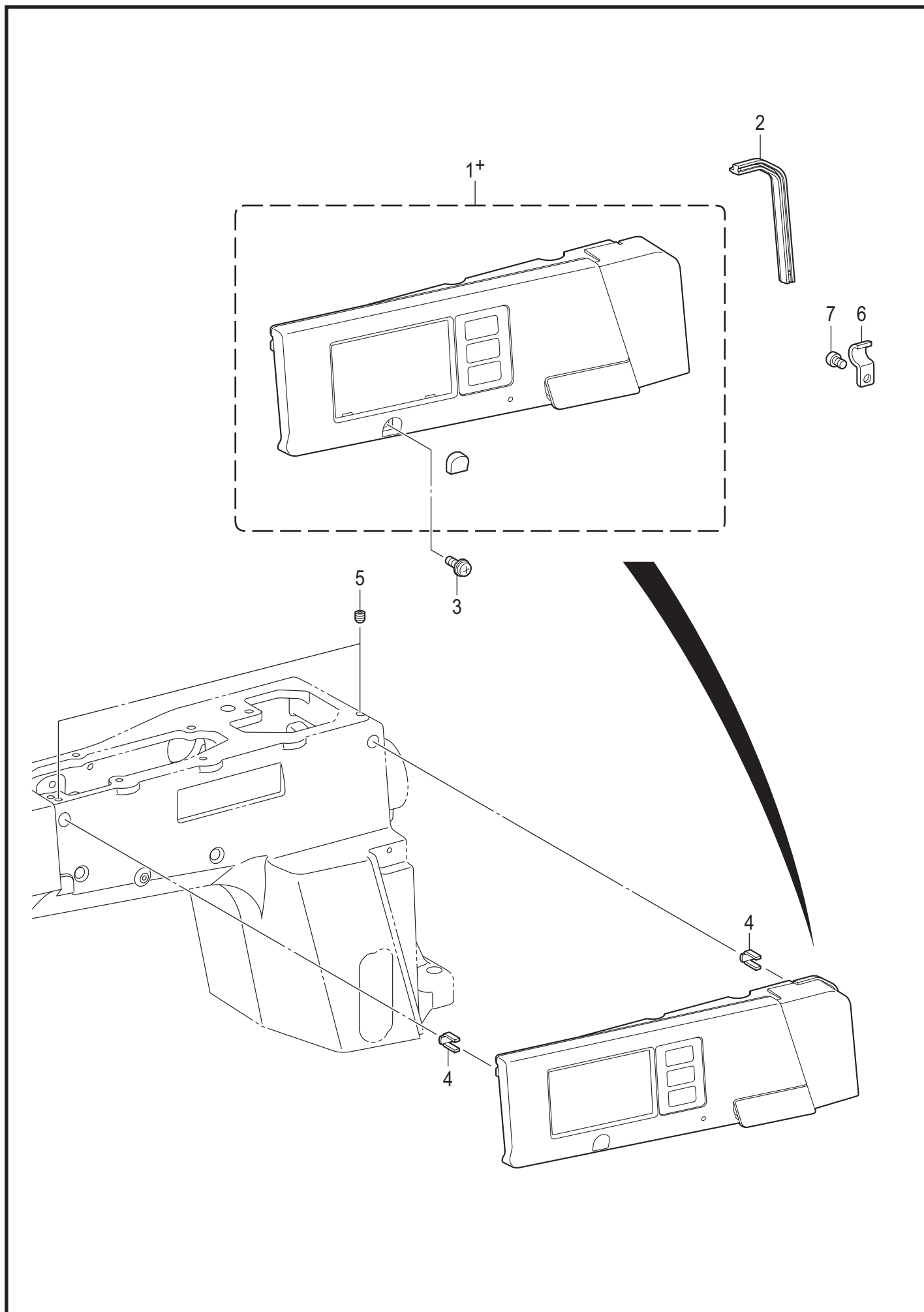
< 欧州、米州向用 / For Europe and the Americas >



Q. モーターカバー関係 / Motor cover

| REF.NO | CODE | Q'TY | 品名 | NAME OF PARTS | RM |
|--------|-----------|------|-----------------------------|---|----|
| 1+ | SB5645101 | 1 | <日本、輸出一般向用> プーリーカバークミJ/A | <For Japan and General export> PULLEY COVER ASSY J/A | |
| 1+ | SB5267101 | 1 | <中国向用> プーリーカバークミC | <For China> PULLEY COVER ASSY C | |
| 2 | SB5646101 | 1 | <欧州、米州向用> プーリーカバーU/E | <For Europe and the Americas> PULLEY COVER U/E | |
| 3 | 0A4501606 | 3 | +ナベザクミ5X16DA | SCREW PAN (S/P WASHER) M5X16 | |
| 4 | SB3621001 | 1 | グラウンドワイヤ | GROUND WIRE | |
| 5 | 0A4401006 | 1 | +ナベザクミ4X10DA | SCREW PAN (S/P WASHER) M4X10 | |
| 6 | 0A5501206 | 1 | +ナベザクミ5X12DB | SCREW PAN (S/P WASHER) M5X12 | |

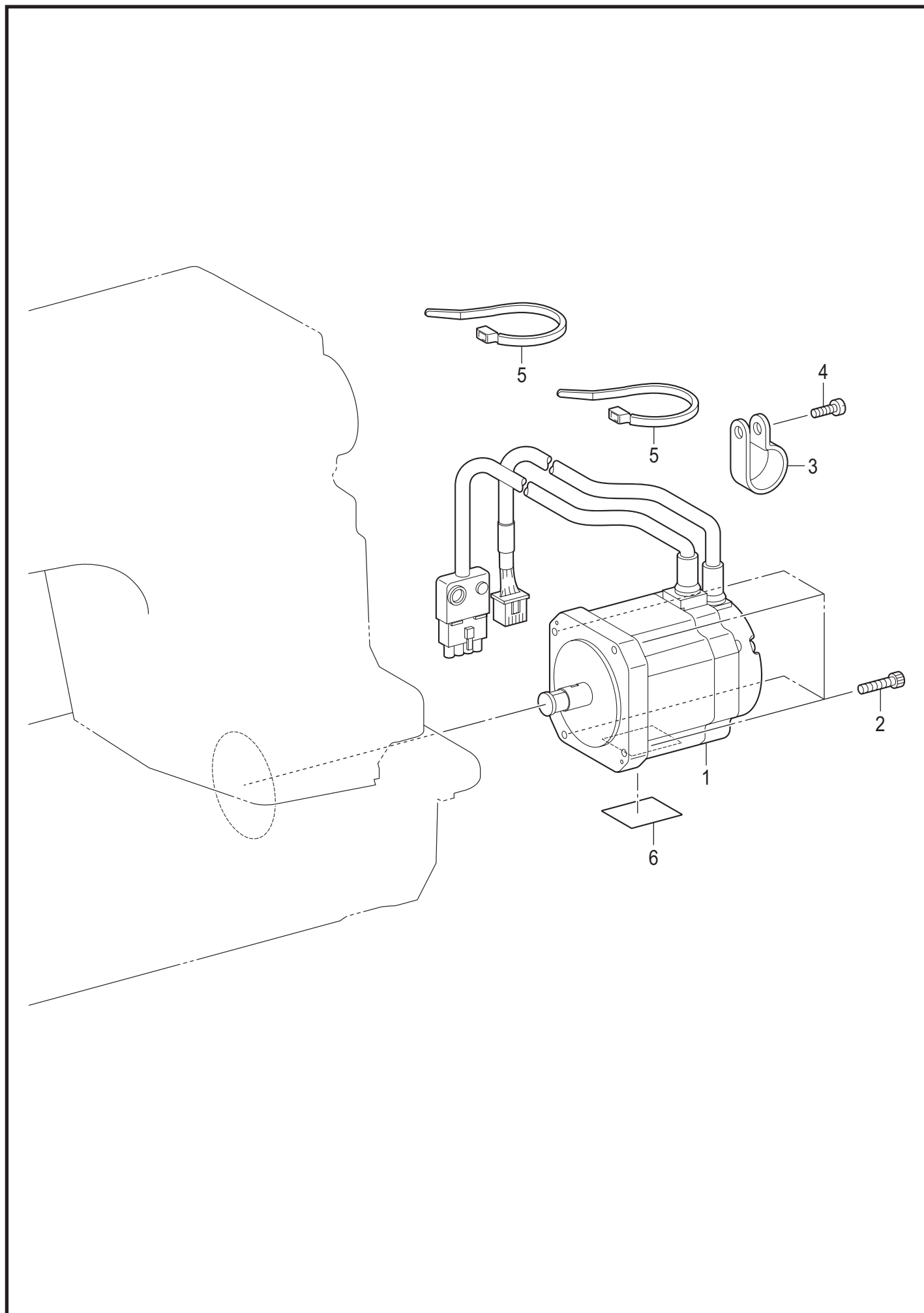
T. 操作パネル関係 / Operation panel



S-7300A-530

T. 操作パネル関係 / Operation panel

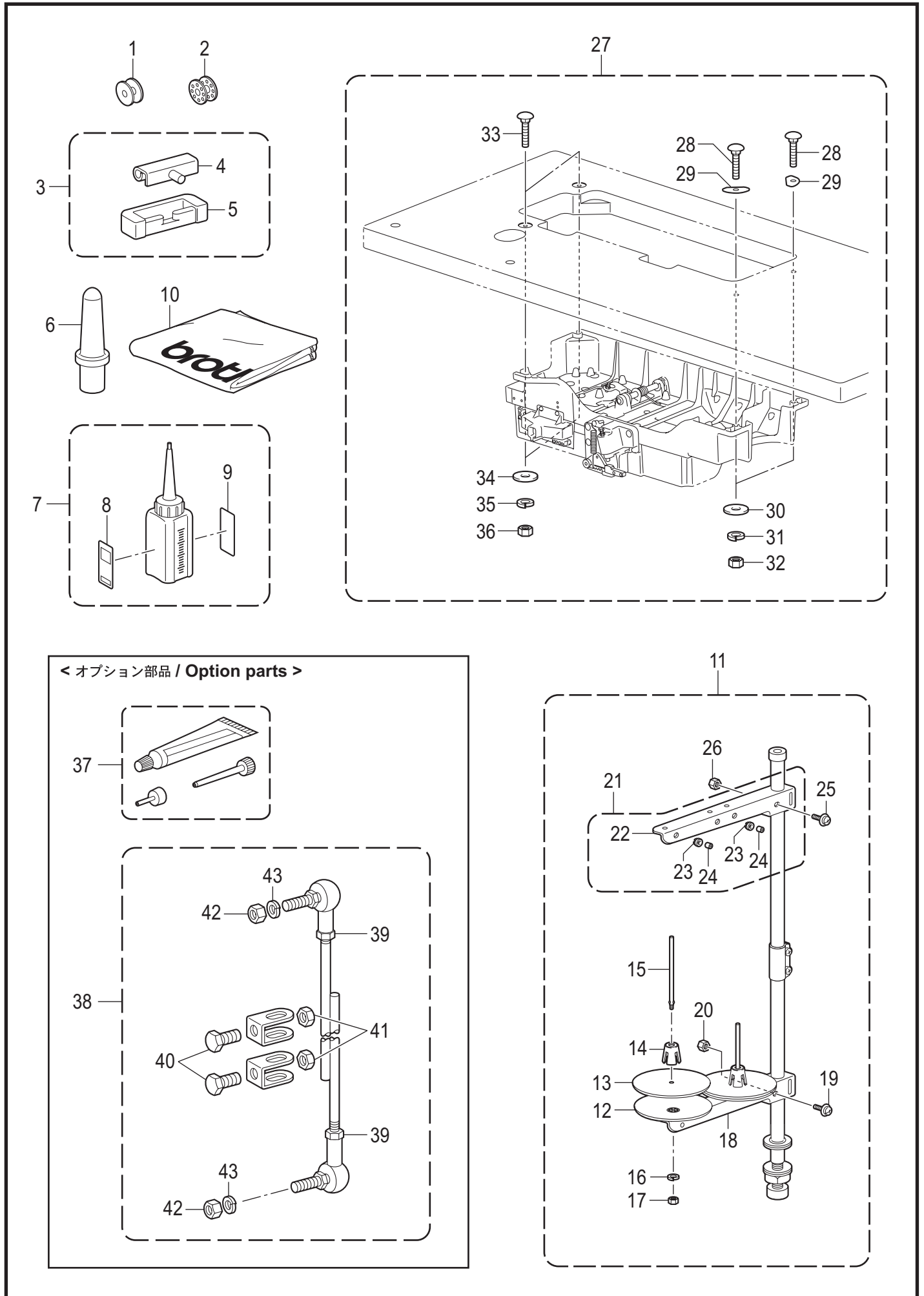
| REF.NO | CODE | Q'TY | 品名 | NAME OF PARTS | RM |
|--------|-----------|------|-------------------------|--|----|
| 1+ | SB5987101 | 1 | <輸出一般向用以外> パネルクミホキュウ | <Except General export> PANEL ASSY SUPPLY | |
| 1+ | SB6353101 | 1 | <輸出一般向用> パネルクミホキュウ | <For General export> PANEL ASSY SUPPLY | |
| 2 | SB5045001 | 1 | パネルフチゴム | EDGE COVER | |
| 3 | 0A5401206 | 1 | +ナベザクミ4X12DB | SCREW PAN (S/P WASHER) M4X12 | |
| 4 | SB3655001 | 2 | パネルサポート | PANEL SUPPORT | |
| 5 | 012500536 | 2 | アナヒラ5X5 | SET SCREW SOCKET (FT) M5X5 | |
| 6 | 140647121 | 2 | コードオサエ | CORD HOLDER | |
| 7 | 062400816 | 2 | ナベコ4X8 | SCREW PAN M4X8 | |



U. モーター関係 / Motor mechanism

| REF.NO | CODE | Q'TY | 品名 | NAME OF PARTS | RM |
|--------|-----------|------|------------------|----------------------|----|
| 1 | SB5005201 | 1 | モーターDR-7138B-501 | MOTOR DR-7138B-501 | |
| 2 | 018402036 | 4 | アナボルト4X20 | BOLT SOCKET M4X20 | |
| 3 | SB4096001 | 1 | コードホルダ#12 | CORD HOLDER #12 | |
| 4 | 062501216 | 1 | ナベコ5X12 | SCREW PAN M5X12 | |
| 5 | 218859001 | 2 | バインダM150 | BINDER M150 | |
| 6 | SA4224001 | 1 | マ-クチュウイ30X40 | MARK ATTENTION 30X40 | |

V. 付属品関係 / Accessories



V. 付属品関係 / Accessories

| REF.NO | CODE | Q'TY | 品名 | NAME OF PARTS | RM |
|--------|-----------|------|--------------------|-------------------------------|----|
| 1 | 146290001 | 1 | <-□□3用> ボビン | <For -□□3> BOBBIN | |
| 2 | 117132001 | 1 | <-□□05用> ボビン | <For -□□05> BOBBIN | |
| 3 | SB5633001 | 1 | ラバーヒンジクミ | RUBBER HINGE ASSY | |
| 4 | SB3627001 | 2 | トウブヒンジ | HEAD HINGE | |
| 5 | SB3628001 | 2 | トウブヒンジウケゴム | RUBBER CUSHION | |
| 6 | SB5046001 | 1 | マクラ | HEAD REST | |
| 7 | SA8239201 | 1 | オイルタンククミ | OIL TANK ASSY | |
| 8 | SB1270001 | 1 | オイルケイコクラベル エイブン | OIL WARNING LABEL EN | |
| 9 | SB1271001 | 1 | オイルケイコクラベル ワブン | OIL WARNING LABEL JP | |
| 10 | 144226001 | 1 | トウブカバー | HEAD COVER | |
| 11 | SB3928001 | 1 | イトタテダイクミ2DR | COTTON STAND ASSY 2DR | |
| 12 | S51283001 | 2 | ウケザラ | SPOOL STAND BASE | |
| 13 | SB4114001 | 2 | スプールマット | SPOOL MAT | |
| 14 | S51282101 | 2 | スプールクツシヨン | SPOOL CUSHION | |
| 15 | 150179023 | 2 | スプールジクB | SPOOL SHAFT B | |
| 16 | SB4117001 | 2 | バネザガネ2-5 | WASHER SPRING 2-5 | |
| 17 | SB4119001 | 2 | 2シュナツト5 | NUT 2 M5 | |
| 18 | S02778022 | 1 | スプールホルダー2 | SPOOL HOLDER 2 | |
| 19 | S37037002 | 1 | ナベコヒラザ5X32 | SCREW PAN (S/P WASHER) M5X32 | |
| 20 | SB4118001 | 1 | 1シュナツト5 | NUT 1 M5 | |
| 21 | S02786002 | 1 | スレツドハンガークミ2 | THREAD HANGER ASSY 2 | |
| 22 | S02787002 | 1 | スレツドハンガー2 | THREAD HANGER 2 | |
| 23 | 150183000 | 2 | イトカケハンガーダイ | THREAD HANGER BASE | |
| 24 | 142990001 | 2 | スレツドブツシュ | THREAD BUSH | |
| 25 | SB4120001 | 1 | ナベコヒラザM5X14 | SCREW PAN(S/P WASHER) M5X14 | |
| 26 | SB4118001 | 1 | 1シュナツト5 | NUT 1 M5 | |
| 27 | SB5634001 | 1 | カクネクミ | BOLT SQUARE ASSY | |
| 28 | SB5047001 | 2 | カクネボルト6X45 | BOLT SQUARE M6X45 | |
| 29 | SB5048001 | 2 | シキイタ | SETTING PLATE | |
| 30 | 025060332 | 2 | ヒラザガネダイ6 | WASHER PLAIN L 6 | |
| 31 | 028060242 | 2 | バネザガネ2-6 | WASHER SPRING 2-6 | |
| 32 | 021060106 | 2 | 1シュナツト6 | NUT 1 M6 | |
| 33 | SA9893001 | 2 | カクネボルト8X65 | BOLT M8X65 | |
| 34 | SB4243001 | 2 | ヒラザガネダイ8 | WASHER PLAIN L 8 | |
| 35 | 028080242 | 2 | バネザガネ2-8 | WASHER SPRING 2-8 | |
| 36 | 021080202 | 2 | 2シュナツト8 | NUT 2 M8 | |
| 37 | SB6659001 | 1 | <オプション部品> グリスクミ | <OPTION PARTS> GREASE UNIT | |
| 38 | S40765001 | 1 | レンケツカンクミ | CONNECTING ROD ASSY | |
| 39 | 021060103 | 2 | 1シュナツト6 | NUT 1 M6 | |
| 40 | 017081603 | 2 | ボルト8X16 | BOLT 8X16 | |
| 41 | 021080103 | 2 | 1シュナツト8 | NUT 1 M8 | |
| 42 | S36119021 | 2 | 1シュナツト6 | NUT 1 M6 | |
| 43 | S36121021 | 2 | バネザガネ2-6 | WASHER SPRING 2-6 | |

Sp1. 仕様別部品一覧表 (日本向) / Different parts list (For Japan)

| REF. NO. | 品名 / Name of parts | 仕様 / Specification | |
|----------|-------------------------|------------------------------------|------------------------------|
| | | 微量給油タイプ / Minimum lubrication type | |
| | | -[]03 | -[]05 |
| | | 中厚物用 / Medium-weight materials | 厚物用 / Heavy-weight materials |
| B-23 | 針棒 / Needle bar | SA9353001 | SA9641001 |
| B-28 | ミシン針 / Needle | 100265031 | 100265042 |
| B-37 | 針板 / Needle plate | S29645001 | SB5648001 |
| C-11 | 押え組 / Presser foot assy | 153037201 | 145157101 |
| D-1 | 送り歯 / Feed dog | S02742001 | S02743001 |

| REF. NO. | 品名 / Name of parts | 仕様 / Specification | |
|----------|-------------------------|--------------------------------|--|
| | | セミドライタイプ / Semi dry type | |
| | | -[]33 | |
| | | 中厚物用 / Medium-weight materials | |
| B-23 | 針棒 / Needle bar | SA9642101 | |
| B-28 | ミシン針 / Needle | 100265031 | |
| B-37 | 針板 / Needle plate | S29645001 | |
| C-11 | 押え組 / Presser foot assy | 153037201 | |
| D-1 | 送り歯 / Feed dog | S02742001 | |

Sp2. 仕様別部品一覧表 (米州向、中国向、輸出一般向) /
 Different parts list (For the Americas, China and General export)

| REF. NO. | 品名 / Name of parts | 仕様 / Specification | |
|----------|-------------------------|------------------------------------|------------------------------|
| | | 微量給油タイプ / Minimum lubrication type | |
| | | -[]03 | -[]05 |
| | | 中厚物用 / Medium-weight materials | 厚物用 / Heavy-weight materials |
| B-23 | 針棒 / Needle bar | SA9353001 | SA9641001 |
| B-28 | ミシン針 / Needle | 100265034 | 100265042 |
| B-37 | 針板 / Needle plate | 111859301 | 150792101 |
| C-11 | 押え組 / Presser foot assy | 153037201 | 150789101 |
| D-1 | 送り歯 / Feed dog | SA2345101 | SB5225001 |

| REF. NO. | 品名 / Name of parts | 仕様 / Specification | |
|----------|-------------------------|--------------------------------|--|
| | | セミドライタイプ / Semi dry type | |
| | | -[]33 | |
| | | 中厚物用 / Medium-weight materials | |
| B-23 | 針棒 / Needle bar | SA9642101 | |
| B-28 | ミシン針 / Needle | 100265034 | |
| B-37 | 針板 / Needle plate | 111859301 | |
| C-11 | 押え組 / Presser foot assy | 153037201 | |
| D-1 | 送り歯 / Feed dog | SA2345101 | |

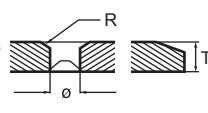
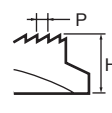
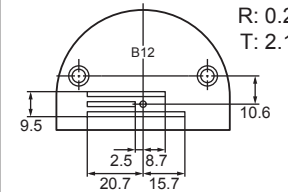
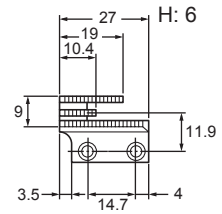
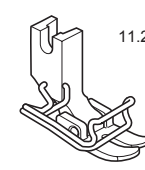
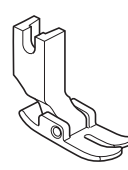
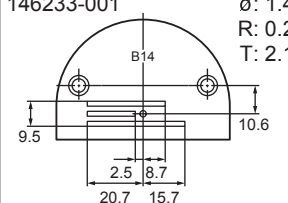
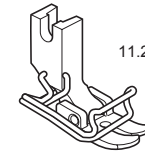

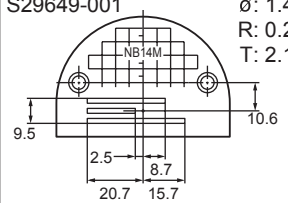
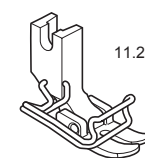
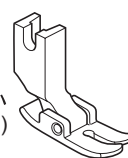
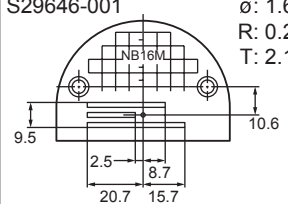
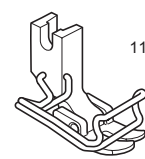
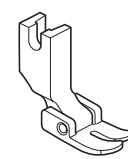
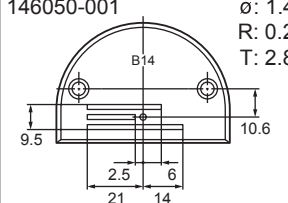
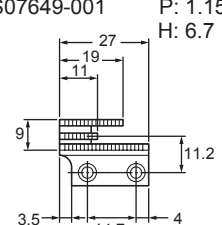
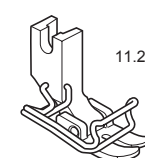
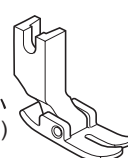
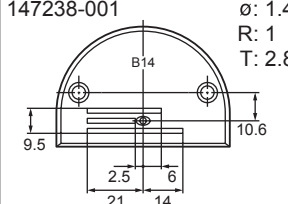
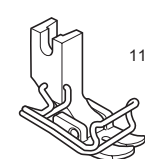
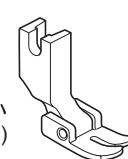
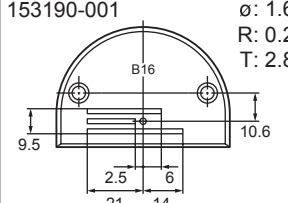
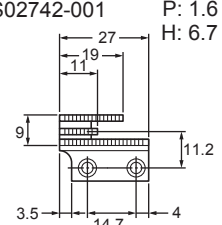
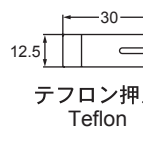
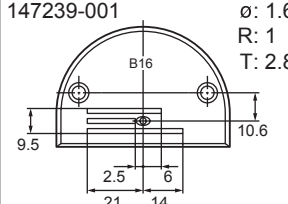
Sp3. 仕様別部品一覧表 (欧州向) / Different parts list (For Europe)

| REF. NO. | 品名 / Name of parts | 仕様 / Specification | | | |
|----------|-------------------------|------------------------------------|------------------------|------------------------------|------------------------|
| | | 微量給油タイプ / Minimum lubrication type | | | |
| | | -[]03 | | -[]05 | |
| | | 中厚物用 / Medium-weight materials | | 厚物用 / Heavy-weight materials | |
| | | 送り歯(3枚歯) / For 3ROW | 送り歯(4枚歯) / For 4ROW | 送り歯(3枚歯) / For 3ROW | 送り歯(4枚歯) / For 4ROW |
| B-23 | 針棒 / Needle bar | SA9731001 | ← | SA9641001 | ← |
| B-28 | ミシン針 / Needle | 107415011 | 107415014 | | 107415022 |
| B-37 | 針板 / Needle plate | 100266101 | 111859301 | | 150792101 |
| C-15 | 押え組 / Presser foot assy | SA8102001 | ← | SA8103001 | ← |
| D-1 | 送り歯 / Feed dog | S02742001 | SA2345101 | | SB5225001 |

| REF. NO. | 品名 / Name of parts | 仕様 / Specification | | | |
|----------|-------------------------|--------------------------------|------------------------|--|--|
| | | セミドライタイプ / Semi dry type | | | |
| | | -[]33 | | | |
| | | 中厚物用 / Medium-weight materials | | | |
| | | 送り歯(3枚歯) / For 3ROW | 送り歯(4枚歯) / For 4ROW | | |
| B-23 | 針棒 / Needle bar | SA9640101 | ← | | |
| B-28 | ミシン針 / Needle | 107415011 | 107415014 | | |
| B-37 | 針板 / Needle plate | 100266101 | 111859301 | | |
| C-15 | 押え組 / Presser foot assy | SA8102001 | ← | | |
| D-1 | 送り歯 / Feed dog | S02742001 | SA2345101 | | |

Ga1. ゲージ部品一覧表 (中厚物用 : 3枚歯) / Gauge parts list (Medium-weight materials : 3ROW)

3枚歯 / 3ROW

| 用途 Application | 針板 Needle plate | | 送り歯 Feed dog | 押え組 Presser foot assy | |
|---------------------------------|--------------------|---|---|---|--|
| | 記号 Mark |  | |  | |
| 中厚物用 Medium-weight materials | B12 | 153147-001  | 146231-001 P: 1.15 H: 6  | SA8102-001  | 153037-201  長溝 Slot |
| | B14 | 146233-001  | | SA8105-001  | 113280-121  面取り大 Chamfering(L) |
| | NB14M | S29649-001  | | SA8108-001  | 147531-101  面取り小 Chamfering(S) |
| | NB16M | S29646-001  | | SA8109-001  | 111856-101  長溝 Slot |
| | B14 | 146050-001  | S07649-001 P: 1.15 H: 6.7  | SA8106-001  | 140957-101  面取り小 Chamfering(S) |
| | B14 | 147238-001  | | SA8107-001  | 143711-101  面取り小 Chamfering(S) |
| | B16 | 153190-001  | S02742-001 P: 1.6 H: 6.7  | | S01904-101  テフロン押え Teflon |
| | B16 | 147239-001  | | | |

Ga2. ゲージ部品一覧表 (中厚物用 : 3枚歯) / Gauge parts list (Medium-weight materials : 3ROW)

3枚歯 / 3ROW

| 用途 Application | 針板 Needle plate | | 送り歯 Feed dog | | 押え組 Presser foot assy | | |
|---------------------------------|--------------------|----------------|-----------------|----------------|--------------------------|--|--|
| | 記号 Mark | | | | | | |
| 中厚物用 Medium-weight materials | B18M | S29645-001 | S07649-001 | SA8102-001 | 153037-201 | | |
| | B18 | 100266-101 | S02742-001 | SA8105-001 | 113280-121 | | |
| | B18 | 146232-001 | 146231-001 | SA8108-001 | 147531-101 | | |
| | H18 | 141096-001 | 117442-001 | SA8109-001 | 111856-101 | | |
| | B20 | S11222-001 | S07649-001 | SA8106-001 | 140957-101 | | |
| | | | S02742-001 | SA8107-001 | 143711-101 | | |
| | | | | | S01904-101 | | |

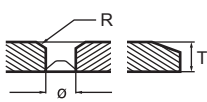
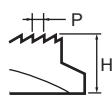
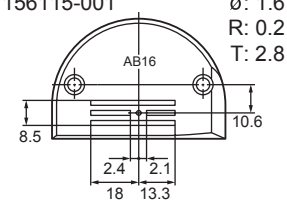
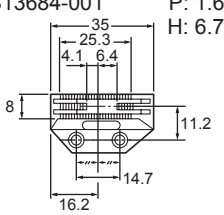
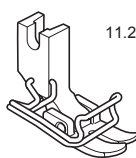
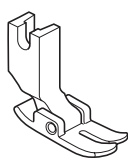
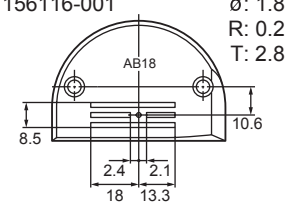
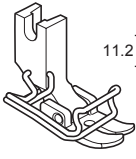
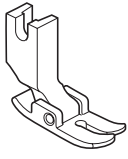
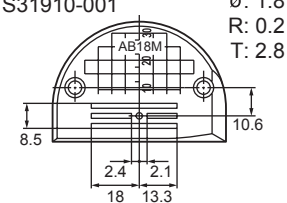
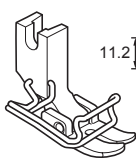
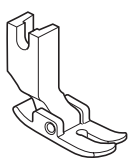
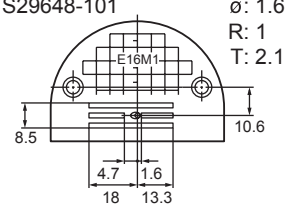
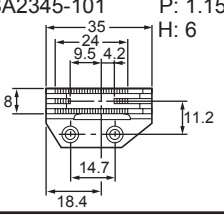
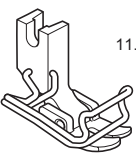
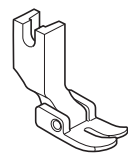
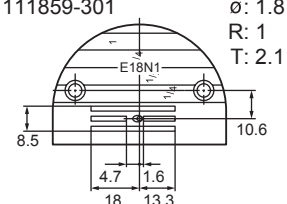
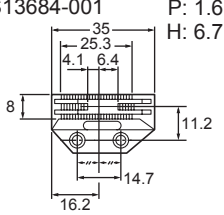
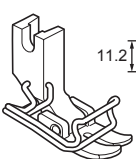
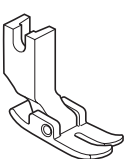
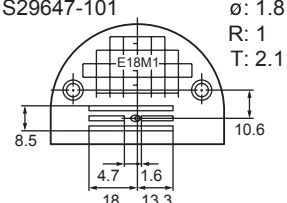
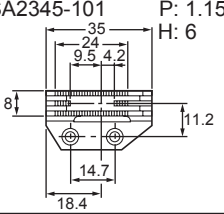
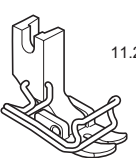
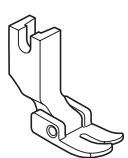
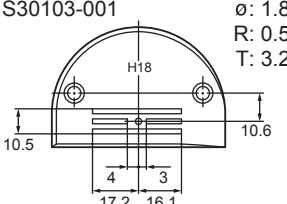
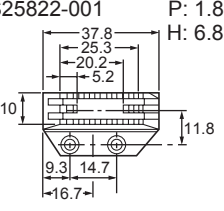
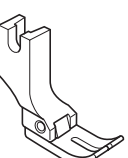
Ga4. ゲージ部品一覧表 (中厚物用 : 4枚歯) / Gauge parts list (Medium-weight materials : 4ROW)

4枚歯 / 4ROW

| 用途 Application | 針板 Needle plate | | 送り歯 Feed dog | 押え組 Presser foot assy | | |
|---------------------------------|--|--|-----------------------------------|------------------------------------|----------------|----------------|
| | 記号 Mark | | | | | |
| 中厚物用 Medium-weight materials | E12N1 | S03882-201 $\phi: 1.2$ R: 1 T: 2.1 | SA2345-101 P: 1.15 H: 6 | SA8102-001 | 153037-201 | |
| | E14N1 | 159859-201 $\phi: 1.4$ R: 1(溝) T: 2.1 | | SA8105-001 | 113280-121 | |
| | E12 | S01107-101 $\phi: 1.2$ R: 1 T: 2.8 | | S13684-001 P: 1.6 H: 6.7 | SA8108-001 | 147531-101 |
| | 送りピッチ 4mm 以下で使用 Use the feed dog and needle plate with a stitch length of 4mm or less | | | | SA8109-001 | 111856-101 |
| | AB14N1 | S02999-201 $\phi: 1.4$ R: 0.2 T: 2.1 | | S02748-001 P: 0.9 H: 6 | SA8106-001 | 140957-101 |
| AB16N1 | S03000-201 $\phi: 1.6$ R: 0.2 T: 2.1 | S02744-001 P: 1.15 H: 6 | SA8107-001 | 143711-101 | | |
| | | | | S01904-101 | | |

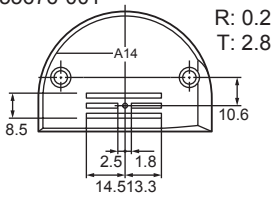
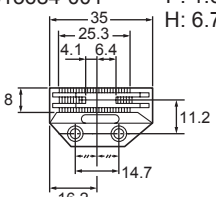
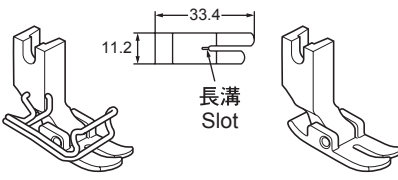
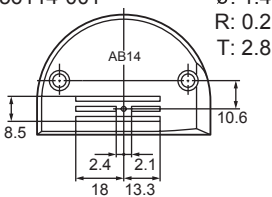
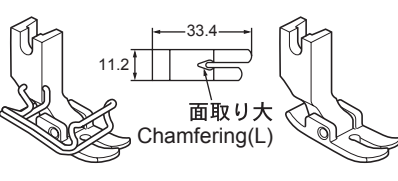
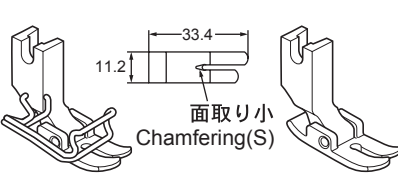
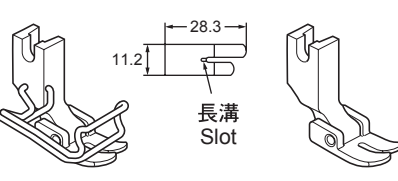
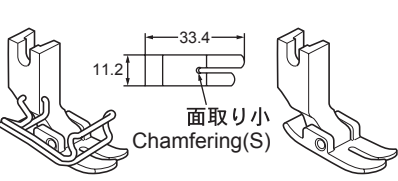
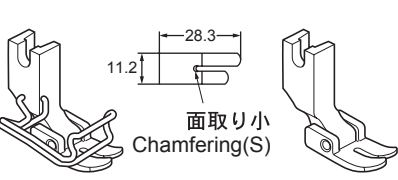
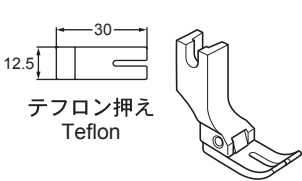
Ga5. ゲージ部品一覧表 (中厚物用 : 4枚歯) / Gauge parts list (Medium-weight materials : 4ROW)

4枚歯 / 4ROW

| 用途 Application | 針板 Needle plate | | 送り歯 Feed dog | 押え組 Presser foot assy | |
|---------------------------------|--------------------|---|--|---|--|
| | 記号 Mark |  | |  | |
| 中厚物用 Medium-weight materials | AB16 | 156115-001  ø: 1.6 R: 0.2 T: 2.8 | S13684-001  P: 1.6 H: 6.7 | SA8102-001  | 153037-201  長溝 Slot |
| | AB18 | 156116-001  ø: 1.8 R: 0.2 T: 2.8 | | SA8105-001  | 113280-121  面取り大 Chamfering(L) |
| | AB18M | S31910-001  ø: 1.8 R: 0.2 T: 2.8 | | SA8108-001  | 147531-101  面取り小 Chamfering(S) |
| | E16M1 | S29648-101  ø: 1.6 R: 1 T: 2.1 | SA2345-101  P: 1.15 H: 6 | SA8109-001  | 111856-101  長溝 Slot |
| | E18N1 | 111859-301  ø: 1.8 R: 1 T: 2.1 | S13684-001  P: 1.6 H: 6.7 | SA8106-001  | 140957-101  面取り小 Chamfering(S) |
| | E18M1 | S29647-101  ø: 1.8 R: 1 T: 2.1 | SA2345-101  P: 1.15 H: 6 | SA8107-001  | 143711-101  面取り小 Chamfering(S) |
| | H18 | S30103-001  ø: 1.8 R: 0.5 T: 3.2 | S25822-001  P: 1.8 H: 6.8 | | S01904-101  テフロン押え Teflon |

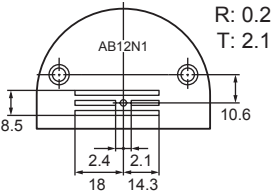
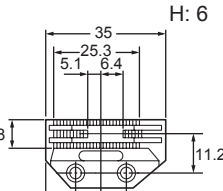
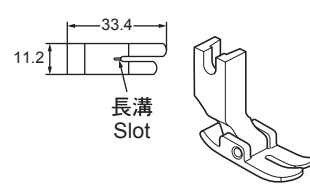
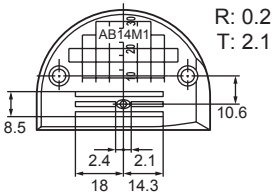
Ga6. ゲージ部品一覧表 (中厚物用 : 4枚歯) / Gauge parts list (Medium-weight materials : 4ROW)

4枚歯 / 4ROW



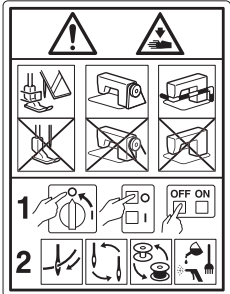




| 用途 Application | 針板 Needle plate 記号 Mark | 送り歯 Feed dog | 押え組 Presser foot assy |
|---------------------------------|--|---|--|
| 中厚物用 Medium-weight materials | A14 155676-001 $\phi: 1.4$ $R: 0.2$ $T: 2.8$  | S13684-001 $P: 1.6$ $H: 6.7$  | SA8102-001 153037-201  |
| | AB14 156114-001 $\phi: 1.4$ $R: 0.2$ $T: 2.8$  | | SA8105-001 113280-121  |
| | | | SA8108-001 147531-101  |
| | | | SA8109-001 111856-101  |
| | | | SA8106-001 140957-101  |
| | | | SA8107-001 143711-101  |
| | | | S01904-101  |

Ga8. ゲージ部品一覧表 (難素材・新素材用：4枚歯) /
 Gauge parts list (Difficult-to-sew materials & Shin-gosen : 4ROW)

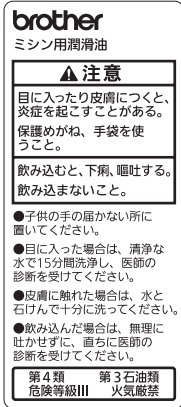
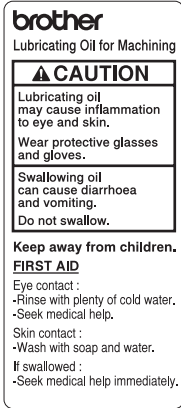
4枚歯 / 4ROW

| 用途 Application | 針板 Needle plate 記号 Mark | 送り歯 Feed dog | 押え組 Presser foot assy |
|------------------------------------|---|---|---|
| 難素材用 Difficult-to-sew materials | AB12N1 S38760-001  $\phi: 1.2$ $R: 0.2$ $T: 2.1$ | S02748-001 P: 0.9 H: 6  | S35777-101  長溝 Slot |
| 新素材用 Shin-gosen | AB14M1 S35776-101  $\phi: 1.4$ $R: 0.2$ $T: 2.1$ | | |

Wa. 警告ラベル / Warning labels

| 警告ラベル / Warning labels | 品名 / Name of parts | Size(mm) | Code |
|---|---|-----------------|-------------------|
|  | <p>ラベル感電6ヶ国 Label electrical shock 36 X 150</p> | <p>36 X 150</p> | <p>SA9725-001</p> |
|  | <p>ラベル感電 25 X 28 Label electrical shock 25 X 28</p> | <p>L=28.4</p> | <p>SA9914-001</p> |
|  | <p>操作注意ラベル Label caution</p> | <p>56 X 43</p> | <p>SA9826-001</p> |
|  | <p>ワーニングマーク Injury mark</p> | <p>L=16</p> | <p>SA9957-001</p> |
|  | <p>ワーニングマーク Injury mark</p> | <p>L=25</p> | <p>SA9957-002</p> |
|  | <p>アースマーク Label, grounding</p> | <p>φ 12</p> | <p>S37060-001</p> |
|  | <p>マークチュウイ 30 X 40 Mark attention 30 X 40</p> | <p>30 X 40</p> | <p>SA4224-001</p> |

Wa. 警告ラベル / Warning labels

| 警告ラベル / Warning labels | 品名 / Name of parts | Size(mm) | Code |
|--|--|----------------|-------------------|
|  <p>brother マシン用潤滑油</p> <p>▲ 注意</p> <p>目に入ったり皮膚につくと、炎症を起こすことがある。 保護めがね、手袋を使うこと。</p> <p>飲み込むと、下痢、嘔吐する。 飲み込まないこと。</p> <p>●子供の手の届かない所に置いてください。 ●目に入った場合は、清潔な水で15分間洗浄し、医師の診断を受けてください。 ●皮膚に触れた場合は、水と石けんで十分に洗ってください。 ●飲み込んだ場合は、無理に吐かせずに、直ちに医師の診断を受けてください。</p> <p>第4類 危険等級III 第3石油類 火気厳禁</p> | <p>オイル警告ラベル和文 Oil warning label JP</p> | <p>68 X 30</p> | <p>SB1271-001</p> |
|  <p>brother Lubricating Oil for Machining</p> <p>▲ CAUTION</p> <p>Lubricating oil may cause inflammation to eye and skin. Wear protective glasses and gloves.</p> <p>Swallowing oil can cause diarrhoea and vomiting. Do not swallow.</p> <p>Keep away from children. FIRST AID Eye contact : -Rinse with plenty of cold water. -Seek medical help. Skin contact : -Wash with soap and water. If swallowed : -Seek medical help immediately.</p> | <p>オイル警告ラベル英文 Oil warning label EN</p> | <p>68 X 30</p> | <p>SB1270-001</p> |

| CODE | REF.NO | Page | CODE | REF.NO | Page | CODE | REF.NO | Page | CODE | REF.NO | Page |
|-----------|---------|------|-----------|---------|------|-----------|---------|------|-----------|---------|------|
| 004301016 | K - 31 | 26 | 048040342 | M1 - 17 | 32 | 0A4401006 | N1 - 29 | 36 | 140327001 | G - 24 | 18 |
| 012060636 | B - 19 | 4 | | M2 - 3 | 34 | | N1 - 35 | 36 | 140407001 | C - 9 | 8 |
| | F - 11 | 16 | 048050142 | K - 52 | 28 | | N1 - 37 | 36 | 140553102 | B - 29 | 4 |
| | N1 - 18 | 36 | 048050342 | C - 25 | 8 | | Q - 5 | 44 | 140647121 | K - 48 | 26 |
| 012400432 | J - 8 | 24 | | J - 2 | 24 | 0A4401606 | H - 42 | 22 | | T - 6 | 46 |
| 012400436 | B - 15 | 4 | 048060342 | B - 17 | 4 | | P - 5 | 42 | 140957101 | Ga1 | 54 |
| 012500536 | B - 21 | 4 | 048080142 | D - 22 | 12 | 0A4402006 | N1 - 23 | 36 | | Ga2 | 55 |
| | B - 59 | 6 | 048120142 | B - 43 | 6 | 0A4501206 | G - 20 | 18 | | Ga4 | 57 |
| | C - 21 | 8 | 048150142 | B - 7 | 4 | 0A4501606 | Q - 3 | 44 | | Ga5 | 58 |
| | D - 27 | 12 | 060300606 | H - 41 | 22 | 0A5401006 | D - 37 | 12 | | Ga6 | 59 |
| | D - 29 | 12 | 060400516 | M1 - 21 | 32 | | D - 40 | 12 | 141096001 | Ga2 | 55 |
| | H - 11 | 20 | | M1 - 23 | 32 | | N1 - 46 | 36 | 141728001 | C - 8+ | 8 |
| | H - 33 | 20 | | M2 - 28 | 34 | 0A5401206 | T - 3 | 46 | 142990001 | V - 24 | 50 |
| | J - 10 | 24 | | M2 - 43 | 34 | 0A5501206 | Q - 6 | 44 | 143711101 | Ga1 | 54 |
| | T - 5 | 46 | 060400816 | M2 - 42 | 34 | 100022004 | N1 - 11 | 36 | | Ga2 | 55 |
| 014300432 | D - 5 | 12 | 060401016 | D - 12 | 12 | 100136001 | H - 5 | 20 | | Ga4 | 57 |
| | D - 16 | 12 | | K - 16+ | 26 | | H - 9 | 20 | | Ga5 | 58 |
| | M2 - 25 | 34 | 060401216 | A - 11 | 2 | 100265031 | Sp1 | 51 | | Ga6 | 59 |
| 014680632 | M2 - 22 | 34 | 060500616 | H - 31 | 20 | 100265034 | Sp2 | 52 | 144226001 | V - 10 | 50 |
| | M2 - 34 | 34 | 060501016 | J - 22 | 24 | 100265042 | Sp1 | 51 | 144875001 | G - 28 | 18 |
| 014771032 | K - 43 | 26 | | J - 26 | 24 | | Sp2 | 52 | 145157101 | Sp1 | 51 |
| 017081603 | V - 40 | 50 | | M2 - 37 | 34 | 100266101 | Sp3 | 53 | | Ga3 | 56 |
| 018062036 | K - 66 | 28 | | P - 2 | 42 | | Ga2 | 55 | 145446001 | H - 3 | 20 |
| 018062536 | K - 57 | 28 | 062061616 | J - 27 | 24 | 100267001 | Ga3 | 56 | | H - 8 | 20 |
| 018400532 | C - 34 | 8 | 062300616 | M1 - 4 | 32 | 100402004 | H - 16 | 20 | | H - 18 | 20 |
| 018400636 | K - 55 | 28 | | M2 - 5 | 34 | 100645003 | K - 18+ | 26 | 145446002 | J - 24 | 24 |
| 018401436 | D - 34 | 12 | 062400616 | A - 13 | 2 | 102630001 | B - 22 | 4 | 145737021 | G - 10 | 18 |
| 018402036 | U - 2 | 48 | | K - 3 | 26 | 102843004 | K - 23 | 26 | 146050001 | Ga1 | 54 |
| 018500836 | L - 7 | 30 | 062400816 | G - 6 | 18 | 104450101 | A - 3 | 2 | 146231001 | Ga1 | 54 |
| 018501036 | K - 10 | 26 | | G - 33 | 18 | 104821001 | G - 16 | 18 | | Ga2 | 55 |
| 018501436 | D - 35 | 12 | | J - 13 | 24 | 104833001 | B - 27 | 4 | 146232001 | Ga2 | 55 |
| | K - 29 | 26 | | K - 47 | 26 | | C - 6 | 8 | 146233001 | Ga1 | 54 |
| 021060103 | V - 39 | 50 | | K - 49 | 26 | 105234003 | K - 36 | 26 | 146288021 | M1 - 20 | 32 |
| 021060106 | V - 32 | 50 | | L - 3 | 30 | 107415011 | Sp3 | 53 | | M2 - 27 | 34 |
| 021060306 | C - 27 | 8 | | T - 7 | 46 | 107415014 | Sp3 | 53 | 146290001 | F - 23 | 16 |
| | C - 29 | 8 | 062401216 | L - 5 | 30 | 107415022 | Sp3 | 53 | | V - 1 | 50 |
| | C - 44 | 8 | 062500816 | B - 34 | 4 | 110161004 | L - 8 | 30 | 146293001 | N1 - 7 | 36 |
| | C - 47 | 10 | | G - 8 | 18 | 110367001 | B - 8 | 4 | | N1 - 21 | 36 |
| | K - 60 | 28 | | H - 36 | 20 | 110735022 | M1 - 15 | 32 | 147238001 | Ga1 | 54 |
| 021080103 | V - 41 | 50 | | M1 - 24 | 32 | | M2 - 14 | 34 | 147239001 | Ga1 | 54 |
| 021080202 | V - 36 | 50 | | M1 - 27 | 32 | | M2 - 18 | 34 | 147322201 | Ga3 | 56 |
| 021350106 | D - 31 | 12 | | M2 - 41 | 34 | 111241001 | Ga3 | 56 | 147531101 | Ga1 | 54 |
| 021400106 | N1 - 48 | 38 | | P - 10 | 42 | 111508001 | Ga3 | 56 | | Ga2 | 55 |
| 021400306 | K - 19+ | 26 | | P - 8+ | 42 | 111856101 | Ga1 | 54 | | Ga4 | 57 |
| 025040332 | G - 34 | 18 | 062501016 | D - 11 | 12 | | Ga2 | 55 | | Ga5 | 58 |
| 025060132 | M2 - 2 | 34 | | K - 63 | 28 | | Ga4 | 57 | | Ga6 | 59 |
| 025060232 | J - 16 | 24 | 062501216 | G - 4 | 18 | | Ga5 | 58 | 148537101 | K - 6 | 26 |
| 025060332 | K - 67 | 28 | | G - 37 | 18 | | Ga6 | 59 | | K - 12 | 26 |
| | V - 30 | 50 | | G - 39 | 18 | 111859301 | Sp2 | 52 | | K - 22 | 26 |
| 025350132 | C - 14 | 8 | | K - 61 | 28 | | Sp3 | 53 | 149287000 | D - 39 | 12 |
| 026030136 | M1 - 5 | 32 | | U - 4 | 48 | | Ga5 | 58 | 149578020 | N1 - 6 | 36 |
| | M2 - 6 | 34 | 081004070 | C - 19 | 8 | 111863001 | B - 24+ | 4 | | N1 - 20 | 36 |
| 026040236 | C - 35 | 8 | | J - 20 | 24 | 113280121 | Ga1 | 54 | 150179023 | V - 15 | 50 |
| | K - 2 | 26 | 081004870 | F - 3 | 16 | | Ga2 | 55 | 150183000 | V - 23 | 50 |
| 026050136 | K - 51 | 28 | | G - 23 | 18 | | Ga3 | 56 | 150607000 | A - 6 | 2 |
| 028060242 | V - 31 | 50 | 081006670 | G - 15 | 18 | | Ga4 | 57 | 150789101 | Sp2 | 52 |
| 028080242 | V - 35 | 50 | 081008070 | G - 18 | 18 | | Ga5 | 58 | | Ga7 | 60 |
| 032461606 | N1 - 44 | 36 | | G - 32 | 18 | | Ga6 | 59 | 150792101 | Sp2 | 52 |
| | N2 - 9 | 40 | 081025870 | F - 5 | 16 | 114561001 | B - 40 | 6 | | Sp3 | 53 |
| 037300616 | J - 19 | 24 | 081029870 | F - 6 | 16 | 117132001 | F - 24 | 16 | | Ga7 | 60 |
| 048030342 | M1 - 16 | 32 | 0A4401006 | N1 - 22 | 36 | | V - 2 | 50 | 151267001 | B - 38 | 6 |
| | M2 - 15 | 34 | | N1 - 25 | 36 | 117442001 | Ga2 | 55 | 151594001 | B - 30 | 4 |
| | M2 - 19 | 34 | | N1 - 27 | 36 | 140004001 | B - 18 | 4 | 153037201 | Sp1 | 51 |

索引 / Index

| CODE | REF.NO | Page | CODE | REF.NO | Page | CODE | REF.NO | Page | CODE | REF.NO | Page |
|----------------------|---------|------|-----------|---------|------|-----------|---------|------|-----------|---------|------|
| 153037201 | Sp2 | 52 | S07649001 | Ga2 | 55 | S52164000 | N1 - 45 | 36 | SA8105001 | Ga1 | 54 |
| | Ga1 | 54 | S11222001 | Ga2 | 55 | S52764001 | G - 27 | 18 | | Ga2 | 55 |
| | Ga2 | 55 | S12441001 | H - 20 | 20 | SA1120001 | B - 5 | 4 | | Ga3 | 56 |
| | Ga4 | 57 | S13385001 | C - 13 | 8 | SA1138101 | B - 26+ | 4 | | Ga4 | 57 |
| | Ga5 | 58 | S13561101 | C - 8+ | 8 | SA1139101 | B - 26+ | 4 | | Ga5 | 58 |
| | Ga6 | 59 | S13684001 | Ga4 | 57 | SA1166001 | B - 51 | 6 | | Ga6 | 59 |
| 153147001 | Ga1 | 54 | | Ga5 | 58 | SA1173101 | C - 1+ | 8 | SA8106001 | Ga1 | 54 |
| 153190001 | Ga1 | 54 | | Ga6 | 59 | SA1179001 | C - 37 | 8 | | Ga2 | 55 |
| 154567000 | K - 42 | 26 | S23651001 | B - 2 | 4 | | C - 42 | 8 | | Ga4 | 57 |
| 154742001 | Ga3 | 56 | | B - 6 | 4 | | N1 - 16 | 36 | | Ga5 | 58 |
| 155676001 | Ga6 | 59 | | B - 32 | 4 | SA1229101 | H - 25 | 20 | | Ga6 | 59 |
| 156114001 | Ga6 | 59 | | B - 36 | 4 | SA1242001 | D - 6 | 12 | SA8107001 | Ga1 | 54 |
| 156115001 | Ga5 | 58 | | B - 45 | 6 | | D - 17 | 12 | | Ga2 | 55 |
| 156116001 | Ga5 | 58 | | B - 47 | 6 | SA1286001 | F - 12 | 16 | | Ga4 | 57 |
| 159150000 | A - 5 | 2 | | B - 52 | 6 | SA1303101 | G - 17 | 18 | | Ga5 | 58 |
| 159805001 | H - 4 | 20 | | D - 14 | 12 | | G - 31 | 18 | | Ga6 | 59 |
| | H - 19 | 20 | | D - 30 | 12 | SA1345001 | H - 30 | 20 | SA8108001 | Ga1 | 54 |
| 159859201 | Ga4 | 57 | | F - 8 | 16 | SA1360101 | J - 21 | 24 | | Ga2 | 55 |
| 180018151 | B - 39 | 6 | | F - 13 | 16 | SA1388101 | L - 6 | 30 | | Ga4 | 57 |
| 183388001 | F - 19 | 16 | | K - 37 | 26 | SA2161001 | B - 16 | 4 | | Ga5 | 58 |
| 183389001 | F - 20 | 16 | S25235001 | B - 3 | 4 | SA2252101 | B - 50 | 6 | | Ga6 | 59 |
| 183390001 | F - 21 | 16 | S25236001 | B - 4 | 4 | SA2345101 | Sp2 | 52 | SA8109001 | Ga1 | 54 |
| 200190001 | N1 - 43 | 36 | S25380601 | G - 26 | 18 | | Sp3 | 53 | | Ga2 | 55 |
| | N2 - 8 | 40 | S25382001 | G - 12 | 18 | | Ga4 | 57 | | Ga4 | 57 |
| 218859001 | U - 5 | 48 | | G - 22 | 18 | | Ga5 | 58 | | Ga5 | 58 |
| 228475000 | D - 38 | 12 | S25434000 | K - 39 | 26 | SA2378001 | B - 48 | 6 | | Ga6 | 59 |
| BMP3010-0000000-2ST1 | | | S25456001 | M1 - 9 | 32 | SA2422001 | B - 13 | 4 | SA8239201 | V - 7 | 50 |
| | N2 - 1+ | 40 | | M1 - 12 | 32 | SA2689101 | M1 - 25 | 32 | SA8903001 | C - 4 | 8 |
| BMP3010-0000000-3ST4 | | | | M2 - 10 | 34 | | M2 - 38 | 34 | | F - 16 | 16 |
| | N2 - 2+ | 40 | | M2 - 11 | 34 | | P - 3 | 42 | SA8987001 | G - 14 | 18 |
| BMP3010-0000000-4ST4 | | | S25821001 | Ga7 | 60 | SA4146101 | H - 6 | 20 | SA8989001 | G - 13 | 18 |
| | N2 - 2+ | 40 | S25822001 | Ga5 | 58 | | H - 10 | 20 | SA9352001 | M1 - 14 | 32 |
| BMP3010-0000000-AST1 | | | | Ga7 | 60 | SA4224001 | D - 41 | 12 | SA9353001 | Sp1 | 51 |
| | N2 - 1+ | 40 | S29644001 | Ga3 | 56 | | U - 6 | 48 | | Sp2 | 52 |
| J02729001 | N1 - 52 | 38 | S29645001 | Sp1 | 51 | | Wa1 | 62 | SA9359001 | C - 1+ | 8 |
| J04164001 | N1 - 30 | 36 | | Ga2 | 55 | SA5329001 | K - 17+ | 26 | SA9523001 | B - 41 | 6 |
| S01107101 | Ga4 | 57 | S29646001 | Ga1 | 54 | SA5810001 | A - 4 | 2 | SA9564001 | N1 - 41 | 36 |
| S01419000 | H - 26 | 20 | S29647101 | Ga5 | 58 | SA7239101 | B - 20 | 4 | SA9640101 | Sp3 | 53 |
| S01904101 | Ga1 | 54 | S29648101 | Ga5 | 58 | SA7242001 | C - 5 | 8 | SA9641001 | Sp1 | 51 |
| | Ga2 | 55 | S29649001 | Ga1 | 54 | SA7257001 | D - 20 | 12 | | Sp2 | 52 |
| | Ga4 | 57 | S30103001 | Ga5 | 58 | SA7271001 | H - 40 | 22 | | Sp3 | 53 |
| | Ga5 | 58 | S31006002 | C - 16 | 8 | SA7272201 | H - 34 | 20 | SA9642101 | Sp1 | 51 |
| | Ga6 | 59 | S31032002 | H - 21 | 20 | SA7285101 | K - 28 | 26 | | Sp2 | 52 |
| S02620401 | H - 22 | 20 | S31910001 | Ga5 | 58 | SA7287001 | K - 30 | 26 | SA9684001 | F - 9 | 16 |
| S02742001 | Sp1 | 51 | S32958000 | B - 11 | 4 | SA7552201 | K - 21+ | 26 | SA9716001 | K - 50 | 26 |
| | Sp3 | 53 | S35776101 | Ga8 | 61 | SA7607101 | C - 7 | 8 | SA9725001 | N1 - 38 | 36 |
| | Ga1 | 54 | S35777101 | Ga8 | 61 | SA7625001 | B - 10+ | 4 | | Wa1 | 62 |
| | Ga2 | 55 | S36119021 | V - 42 | 50 | SA7626001 | B - 10+ | 4 | SA9731001 | Sp3 | 53 |
| S02743001 | Sp1 | 51 | S36121021 | V - 43 | 50 | SA7636201 | G - 25 | 18 | SA9771001 | M1 - 7 | 32 |
| | Ga3 | 56 | S37037002 | V - 19 | 50 | SA7849001 | H - 38 | 20 | SA9779001 | M1 - 19 | 32 |
| S02744001 | Ga4 | 57 | S37060001 | A - 14 | 2 | SA8061001 | B - 12 | 4 | SA9826001 | A - 15 | 2 |
| S02748001 | Ga4 | 57 | | N1 - 36 | 36 | SA8085001 | M1 - 18 | 32 | | Wa1 | 62 |
| | Ga8 | 61 | | Wa1 | 62 | | M2 - 26 | 34 | SA9827001 | K - 59 | 28 |
| S02778022 | V - 18 | 50 | S38760001 | Ga8 | 61 | SA8100101 | C - 12 | 8 | SA9854001 | H - 35 | 20 |
| S02786002 | V - 21 | 50 | S39051001 | C - 17 | 8 | SA8102001 | Sp3 | 53 | SA9893001 | V - 33 | 50 |
| S02787002 | V - 22 | 50 | S40765001 | V - 38 | 50 | | Ga1 | 54 | SA9896001 | N2 - 5 | 40 |
| S02999201 | Ga4 | 57 | S41205001 | M1 - 8 | 32 | | Ga2 | 55 | SA9901101 | N2 - 4 | 40 |
| S03000201 | Ga4 | 57 | | M2 - 9 | 34 | | Ga4 | 57 | SA9914001 | N2 - 6 | 40 |
| S03245001 | F - 18 | 16 | S41207000 | M1 - 11 | 32 | | Ga5 | 58 | | Wa1 | 62 |
| S03246001 | F - 22 | 16 | S51282101 | V - 14 | 50 | | Ga6 | 59 | SA9923101 | N2 - 3 | 40 |
| S03882201 | Ga4 | 57 | S51283001 | V - 12 | 50 | SA8103001 | Sp3 | 53 | SA9957001 | A - 16 | 2 |
| S04630000 | B - 24+ | 4 | S52162000 | N1 - 49 | 38 | | Ga7 | 60 | | Wa1 | 62 |
| S07649001 | Ga1 | 54 | S52163000 | N1 - 50 | 38 | SA8104001 | Ga3 | 56 | SA9957002 | A - 17 | 2 |

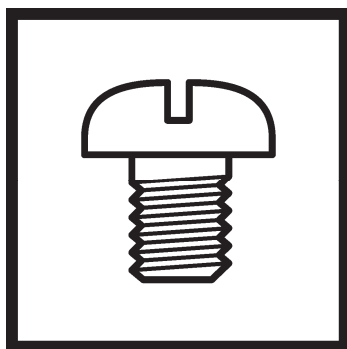
| CODE | REF.NO | Page | CODE | REF.NO | Page | CODE | REF.NO | Page | CODE | REF.NO | Page |
|-----------|--------|------|-----------|--------|------|-----------|--------|------|-----------|--------|------|
| SA9957002 | N1 -39 | 36 | SB4849001 | B -35 | 4 | SB4961001 | K -41 | 26 | SB5237101 | M1 -2 | 32 |
| | Wa1 | 62 | SB4857001 | B -56 | 6 | SB4962001 | K -40 | 26 | SB5238001 | M1 -10 | 32 |
| SB0705101 | C -40 | 8 | SB4858001 | B -57 | 6 | SB4963001 | K -53 | 28 | SB5239001 | M1 -13 | 32 |
| SB1270001 | V -8 | 50 | SB4864001 | C -18 | 8 | SB4964001 | K -45 | 26 | SB5242001 | M1 -22 | 32 |
| | Wa2 | 63 | SB4865001 | C -20 | 8 | SB4965001 | K -54 | 28 | | M2 -44 | 34 |
| SB1271001 | V -9 | 50 | SB4866001 | C -30 | 8 | SB4966001 | K -64 | 28 | SB5244001 | Ga7 | 60 |
| | Wa2 | 63 | SB4867101 | C -22 | 8 | SB4967101 | K -56 | 28 | SB5248001 | B -9+ | 4 |
| SB1305001 | F -17+ | 16 | SB4868001 | C -33 | 8 | SB4968001 | K -34 | 26 | SB5252001 | B -9+ | 4 |
| SB1603001 | E -2 | 14 | SB4869001 | C -36 | 8 | SB4969001 | K -14 | 26 | SB5253001 | B -9+ | 4 |
| SB1604001 | E -3 | 14 | SB4870001 | C -26 | 8 | SB4970001 | L -1 | 30 | SB5257001 | K -46 | 26 |
| SB1605001 | E -4 | 14 | | C -28 | 8 | SB4971001 | L -2 | 30 | SB5258001 | M1 -3 | 32 |
| SB1607001 | E -6 | 14 | SB4871001 | C -38 | 8 | SB4972001 | L -4 | 30 | SB5262001 | C -10 | 8 |
| SB1608001 | E -7 | 14 | SB4872001 | C -31 | 8 | SB4973101 | N1 -4 | 36 | SB5265201 | H -1 | 20 |
| SB1609001 | E -8 | 14 | SB4873101 | C -23 | 8 | SB4975001 | N1 -24 | 36 | SB5267101 | Q -1+ | 44 |
| SB1610001 | E -9 | 14 | SB4874101 | C -41 | 8 | SB4976001 | N1 -5 | 36 | SB5269001 | F -2 | 16 |
| SB1611001 | E -10 | 14 | SB4879101 | D -3 | 12 | SB4977101 | N1 -19 | 36 | SB5270001 | F -4 | 16 |
| SB1677001 | F -17+ | 16 | SB4882001 | D -24 | 12 | SB4978001 | N1 -8 | 36 | SB5272001 | F -7 | 16 |
| SB2433001 | K -24 | 26 | SB4883001 | D -25 | 12 | SB4979001 | N1 -12 | 36 | SB5275101 | F -14 | 16 |
| SB2434001 | K -25 | 26 | SB4884001 | D -26 | 12 | SB4980001 | N1 -13 | 36 | SB5276101 | G -1 | 18 |
| SB3440001 | A -1 | 2 | SB4885101 | D -9 | 12 | SB4981101 | N1 -15 | 36 | SB5280001 | G -19 | 18 |
| SB3480001 | E -5 | 14 | SB4887001 | D -19 | 12 | SB4982101 | N1 -17 | 36 | SB5281001 | G -2 | 18 |
| SB3540001 | J -5 | 24 | SB4888101 | D -10 | 12 | SB5002001 | G -5 | 18 | SB5284201 | G -21 | 18 |
| SB3544001 | J -9 | 24 | SB4889001 | D -21 | 12 | SB5004001 | G -38 | 18 | SB5286201 | G -30 | 18 |
| SB3545101 | J -11 | 24 | SB4892201 | D -36 | 12 | SB5005201 | U -1 | 48 | SB5287001 | G -7 | 18 |
| SB3548001 | J -12 | 24 | SB4893101 | D -23 | 12 | SB5008001 | J -23 | 24 | SB5290101 | B -1 | 4 |
| SB3551001 | J -15 | 24 | | D -32 | 12 | SB5009001 | J -3 | 24 | SB5291101 | B -46 | 6 |
| SB3552001 | J -17 | 24 | SB4894001 | D -7 | 12 | SB5010001 | J -4 | 24 | SB5294201 | D -8+ | 12 |
| SB3553001 | J -18 | 24 | | D -18 | 12 | SB5011001 | J -28 | 24 | SB5297201 | D -8+ | 12 |
| SB3586001 | N1 -14 | 36 | SB4900001 | D -2 | 12 | SB5012001 | J -29 | 24 | SB5300201 | D -28 | 12 |
| SB3587001 | N1 -10 | 36 | SB4901001 | D -13 | 12 | SB5013001 | J -25 | 24 | SB5301001 | K -35 | 26 |
| SB3595101 | H -29 | 20 | SB4903001 | F -1 | 16 | SB5014001 | J -14 | 24 | SB5305001 | C -3 | 8 |
| SB3621001 | Q -4 | 44 | SB4904101 | F -10 | 16 | SB5024001 | P -6 | 42 | SB5306001 | M1 -26 | 32 |
| SB3627001 | V -4 | 50 | SB4911001 | G -3 | 18 | SB5025001 | P -4 | 42 | | M2 -40 | 34 |
| SB3628001 | V -5 | 50 | SB4915001 | G -29 | 18 | | P -9 | 42 | SB5310101 | K -44 | 26 |
| SB3655001 | T -4 | 46 | SB4916001 | G -40 | 18 | SB5026001 | K -20+ | 26 | SB5312001 | A -10 | 2 |
| SB3665001 | N1 -26 | 36 | SB4918001 | G -36 | 18 | SB5028001 | M1 -28 | 32 | SB5313201 | H -7 | 20 |
| SB3776001 | B -14 | 4 | SB4922101 | H -23 | 20 | | M2 -39 | 34 | SB5314101 | D -15 | 12 |
| SB3816101 | N1 -2+ | 36 | SB4923001 | H -24 | 20 | | P -7 | 42 | SB5315101 | D -4 | 12 |
| SB3817401 | N1 -2+ | 36 | SB4925001 | H -28 | 20 | SB5030001 | C -32 | 8 | SB5316101 | B -42 | 6 |
| SB3837001 | N1 -28 | 36 | SB4928001 | H -12 | 20 | | C -39 | 8 | SB5317101 | B -55 | 6 |
| SB3848001 | N1 -47 | 38 | SB4929001 | H -13 | 20 | SB5031001 | C -43 | 8 | SB5318001 | B -31 | 4 |
| SB3850001 | A -12 | 2 | SB4932001 | H -39+ | 20 | SB5032001 | B -25 | 4 | SB5627001 | H -27 | 20 |
| SB3854001 | E -1 | 14 | SB4933001 | H -2 | 20 | SB5034001 | N1 -9 | 36 | SB5628001 | B -53 | 6 |
| SB3858001 | M2 -12 | 34 | SB4934001 | H -32 | 20 | SB5035201 | N1 -34 | 36 | SB5629001 | B -54 | 6 |
| SB3872001 | N1 -32 | 36 | SB4936001 | J -6 | 24 | SB5036001 | G -9 | 18 | SB5630101 | H -37 | 20 |
| SB3928001 | V -11 | 50 | SB4940001 | J -7 | 24 | SB5037001 | B -49 | 6 | SB5631101 | K -27 | 26 |
| SB4096001 | U -3 | 48 | SB4941001 | K -4 | 26 | SB5039001 | B -58 | 6 | SB5633001 | V -3 | 50 |
| SB4114001 | V -13 | 50 | SB4942101 | K -11 | 26 | SB5041001 | F -15+ | 16 | SB5634001 | V -27 | 50 |
| SB4117001 | V -16 | 50 | SB4943001 | K -5 | 26 | SB5042001 | F -15+ | 16 | SB5638001 | A -8 | 2 |
| SB4118001 | V -20 | 50 | SB4944001 | K -21+ | 26 | SB5043001 | A -7 | 2 | SB5639101 | G -11 | 18 |
| | V -26 | 50 | SB4946201 | K -15+ | 26 | SB5044001 | A -9 | 2 | SB5645101 | Q -1+ | 44 |
| SB4119001 | V -17 | 50 | SB4947101 | K -26 | 26 | SB5045001 | T -2 | 46 | SB5646101 | Q -2 | 44 |
| SB4120001 | V -25 | 50 | SB4948101 | K -9 | 26 | SB5046001 | V -6 | 50 | SB5648001 | Sp1 | 51 |
| SB4155001 | M1 -6 | 32 | SB4949101 | K -8 | 26 | SB5047001 | V -28 | 50 | | Ga3 | 56 |
| | M2 -7 | 34 | SB4950201 | K -7 | 26 | SB5048001 | V -29 | 50 | SB5650001 | K -58 | 28 |
| | N1 -33 | 36 | SB4951201 | K -15+ | 26 | SB5049001 | C -2 | 8 | SB5652101 | J -1 | 24 |
| SB4243001 | V -34 | 50 | SB4952101 | K -13 | 26 | SB5225001 | Sp2 | 52 | SB5663401 | P -1+ | 42 |
| SB4531001 | N2 -7 | 40 | SB4953001 | K -65 | 28 | | Sp3 | 53 | SB5664301 | P -1+ | 42 |
| SB4587301 | N1 -2+ | 36 | SB4954101 | K -1 | 26 | | Ga7 | 60 | SB5673001 | K -62 | 28 |
| SB4803001 | N1 -51 | 38 | SB4955001 | K -32 | 26 | SB5226001 | Ga7 | 60 | SB5674001 | C -46 | 10 |
| SB4845001 | A -2 | 2 | SB4956101 | K -33 | 26 | SB5227001 | B -33 | 4 | SB5675001 | G -35 | 18 |
| SB4846101 | M1 -1 | 32 | SB4957001 | K -20+ | 26 | SB5229001 | C -24 | 8 | SB5987101 | T -1+ | 46 |
| SB4848001 | B -44 | 6 | SB4960001 | K -38 | 26 | SB5236001 | H -39+ | 20 | SB6237101 | P -1+ | 42 |

索引 / Index

| CODE | REF.NO | Page | CODE | REF.NO | Page | CODE | REF.NO | Page | CODE | REF.NO | Page |
|-----------|---------|------|------|--------|------|------|--------|------|------|--------|------|
| SB6238001 | P - 1+ | 42 | | | | | | | | | |
| SB6318001 | M2 - 13 | 34 | | | | | | | | | |
| SB6323001 | M2 - 35 | 34 | | | | | | | | | |
| SB6324001 | M2 - 33 | 34 | | | | | | | | | |
| SB6325001 | M2 - 17 | 34 | | | | | | | | | |
| SB6328001 | M2 - 36 | 34 | | | | | | | | | |
| SB6329001 | M2 - 21 | 34 | | | | | | | | | |
| SB6330201 | M2 - 23 | 34 | | | | | | | | | |
| SB6353101 | T - 1+ | 46 | | | | | | | | | |
| SB6391001 | N1 - 42 | 36 | | | | | | | | | |
| SB6402001 | N1 - 40 | 36 | | | | | | | | | |
| SB6430101 | D - 33 | 12 | | | | | | | | | |
| SB6453001 | N1 - 1+ | 36 | | | | | | | | | |
| SB6454001 | N1 - 1+ | 36 | | | | | | | | | |
| SB6455001 | N1 - 1+ | 36 | | | | | | | | | |
| SB6456001 | N1 - 1+ | 36 | | | | | | | | | |
| SB6457001 | N1 - 3+ | 36 | | | | | | | | | |
| SB6458001 | N1 - 3+ | 36 | | | | | | | | | |
| SB6504001 | M2 - 8 | 34 | | | | | | | | | |
| SB6510001 | M2 - 16 | 34 | | | | | | | | | |
| SB6511001 | M2 - 29 | 34 | | | | | | | | | |
| SB6512001 | M2 - 24 | 34 | | | | | | | | | |
| SB6513101 | M2 - 4 | 34 | | | | | | | | | |
| SB6514101 | M2 - 30 | 34 | | | | | | | | | |
| SB6516001 | M2 - 20 | 34 | | | | | | | | | |
| SB6564001 | C - 45 | 10 | | | | | | | | | |
| SB6568001 | F - 17+ | 16 | | | | | | | | | |
| SB6594001 | N1 - 31 | 36 | | | | | | | | | |
| SB6618101 | M2 - 1 | 34 | | | | | | | | | |
| SB6659001 | V - 37 | 50 | | | | | | | | | |
| SB6680001 | H - 17 | 20 | | | | | | | | | |
| SB6681001 | H - 15+ | 20 | | | | | | | | | |
| SB6683001 | H - 14+ | 20 | | | | | | | | | |
| SB6684001 | H - 14+ | 20 | | | | | | | | | |
| SB6686001 | H - 15+ | 20 | | | | | | | | | |
| SB6884001 | M2 - 31 | 34 | | | | | | | | | |
| SB6886001 | M2 - 32 | 34 | | | | | | | | | |

MEMO

brother



パーツブック
PARTS BOOK

ブラザー工業株式会社 <http://www.brother.co.jp/>

〒448-0803 刈谷市野田町北地蔵山1番地5 TEL:0566-95-0085

BROTHER INDUSTRIES, LTD. <http://www.brother.com/>

1-5, Kitajizoyama, Noda-cho, Kariya 448-0803, Japan. Phone : 81-566-95-0088